



CAUTION

Disconnect power before servicing.

This device is intended for indoor operation only. Telephone jacks Line 1 and Line 2 must not be connected to outside wiring.

CAUTION

To ensure reliable operation and to prevent overheating, provide adequate ventilation for this modem and keep it away from heat sources. Do not locate near heat registers or other heat-producing equipment. Provide for free air flow around the Wireless Voice Gateway and its power supply.



This symbol on the product ensures that the device complies with European legislation, Directive 89/336/EEC, 73/23/EEC, 93/68/EEC, which covers the EMC (electromagnetic compatibility), and safety aspects of marking.



This symbol means that your inoperative electronic appliance must be collected separately and not mixed with the household waste. The European Union has implemented a specific collection and recycling system for which producers' are responsible.

This appliance has been designed and manufactured with high quality materials and components that can be recycled and reused. Electrical and electronic appliances are liable to contain parts that are necessary in order for the system to work properly but which can become a health and environmental hazard if they are not handled or disposed of in the proper way. Consequently, please do not throw out your inoperative appliance with the household waste.

If you are the owner of the appliance, you must deposit it at the appropriate local collection point or leave it with the vendor when buying a new appliance.

- If you are a professional user, please follow your supplier's instructions.
- If the appliance is rented to you or left in your care, please contact your service provider.

Help us protect the environment in which we live!



NORTH AMERICAN CABLE INSTALLER:

This reminder is provided to call your attention to Article 820-40 of the National Electrical Code (Section 54 of the Canadian Electrical Code, Part 1) which provides guidelines for proper grounding and, in particular, specifies that the cable ground shall be connected to the grounding system of the building as close to the point of cable entry as practical.

Operating Information

Operating Temperature: 0° - 40° C (32° - 104° F)

Storage Temperature: -20° to 70° C (-4° - 157° F)

If you purchased this product at a retail outlet, please read the following:

Product Information

Keep your sales receipt to obtain warranty parts and service and for proof of purchase. Attach it here and record the serial and model numbers in case you need them. The numbers are located on the back of the product.

Model No. _____ Serial No _____

Purchase Date: _____ Dealer/Address/Phone: _____



Safety Recommendations

REMEMBER SAFETY FIRST

Using equipment safely

Your Cable Modem has been manufactured to meet safety standards, but you must take care if you want it to perform properly and safely.

It is important that you read this booklet completely, especially the safety instructions below. If you have any doubts about the installation, operation or safety of decoder, please contact your supplier.

To avoid the risk of electric shock

- Disconnect the Cable Modem from the mains supply before you connect the Cable Modem to (or disconnect it from) any other equipment. Remember that contact with 110 ~ 240 Volt AC mains can be lethal or cause severe electric shock.
- Never remove the Cable Modem's cover. Should the Cable Modem fail, contact the Customer Service to arrange repair or service.
- Never allow anyone to push anything into holes, slots or any other opening in the case
- Do not block the Cable Modem's ventilation slots; never stand it on soft furnishings or carpets
- Do not put anything on the Cable Modem which might spill or drip into it (eg. Lighted candles or containers of liquids). Do not expose the Cable Modem to dripping or splashing. If an object or liquid enters inside the Cable Modem, unplug it immediately and contact the Customer Service.
- Do not store the Cable Modem in excessively hot, cold or damp conditions. The Cable Modem is intended to operate at an ambient temperature of less than 40 degrees Celsius and a maximum humidity level of 75%. In case of a storm, it is recommended that you unplug the Cable Modem from the mains and from the R/F Network.
- Leave the mains socket accessible so that you can unplug the set quickly

Connecting to the mains supply

- This Cable Modem is designed to operate at 110 ~ 240 VAC.
- If you are in any doubt about the mains lead, the plug or connection, please consult the Customer Service.
- Only the power adapter supplied with the decoder has to be used

Ensuring optimum performance

- Leave 7cm to 10cm around the Cable Modem to ensure that proper ventilation gets to the Cable Modem.
- Do not store your Cable Modem on its side (if not allowed)
- To clean the Cable Modem, use a dry, clean soft cloth with no cleaning solvent or abrasive products. Clean the ventilation openings regularly.




MAIN TECHNICAL SPECIFICATIONS

General

Operating voltage	100 ~ 240 VAC
Typical Power consumption	18 W max
Dimensions (W x H x D)	220mm x 166.7mm x 43mm
Operating temperature range	0 – 40 °C
Storage temperature range	-20 – 70 °C
AC adapter (or plug-in adapter) type	ADAPTER 18W 12VDC/1.5A

Connections

DC input	12V/ 1.5A
Cable input	1xCoaxial cable connector
USB input	1x 2.0 USB connector
Phone plugs	2xRJ11
Ethernet plugs	4xRJ-45

 This symbol on your set guarantees that your product complies with the European Directives 1999/5/EC and 2009/125/EC on Safety, Telecom, Electromagnetic Compatibility and Energy related Products.



The Lightning Flash with arrowhead symbol within an equilateral triangle, is intended to alert the user to the presence of uninsulated "dangerous voltage" within the product enclosure that may be of sufficient magnitude to constitute a risk of shock to persons.



The exclamation point within an equilateral triangle is intended to alert the user to the presence of important operating and maintenance (servicing) instructions in the literature accompanying the product.



Chapter 1: Connections and Setup	9
Turning on the Wireless Voice Gateway.....	9
Introduction	9
Wireless Voice Gateway Features	9
What's on the CD-ROM	10
Computer Requirements.....	10
Wireless Voice Gateway Overview.....	10
Front Panel.....	10
Rear Panel	13
Wall Mounting	14
Relationship among the Devices	15
What the Modem Does	15
What the Modem Needs to Do Its Job.....	15
Contact Your Local Cable Company	16
Connecting the Wireless Voice Gateway to a Single Computer.....	16
Attaching the Cable TV Wire to the Wireless Voice Gateway	17
Installation procedure for connecting to the Ethernet interface.....	18
Telephone or Fax Connection	19
Chapter 2: WEB Configuration	20
Accessing the Web Configuration	20
Outline of Web Manager	22
Status – Status Web Page Group.....	23
1. System	23
2. Connection/Basic	24
3. Connection/Upstream	25
4. Connection/Downstream.....	26
5. MTA/Status	27
6. Diagnostics/Ping.....	28
7. Diagnostics/Trace Route	29
Basic – Basic Web Page Group.....	30
1. Internet.....	30
2. Local Area Network	31



3. DHCP Client Devices	32
Advanced – Advanced Web Page Group	33
1. Options	33
2. IP Filters	34
3. MAC Filters	35
4. Port Filters	36
5. Forwarding	37
6. Port Triggers	38
7. DMZ Host	39
8. Firewall	40
Parental Control – Parental Control Web Page Group	41
1. Device Rules	41
2. Basic Setup	43
3. WEB Site Filters	44
4. TOD Filters	46
Wireless – Wireless Web Page Group	48
1. 2.4 GHz\Radio	49
2. 2.4 GHz\Security	50
3. 2.4 GHz\Advanced	51
4. 2.4 GHz\Access Control	53
5. 2.4 GHz\WPS	54
6. 5 GHz\Radio	55
7. 5 GHz\Security	56
8. 5 GHz\Advanced	57
9. 5 GHz\Access Control	59
10. 5 GHz\WPS	60
USB – USB Web Page Group	61
1. USB Basic	61
2. Approuved Devices	62
3. Storage Basic	63
4. Storage Advanced	64



5. MEDIA SERVER.....	65
System – System Web Page Group.....	68
1. Password.....	68
2. Backup and Recovery\Backup.....	69
3. Backup and Recovery\Restore.....	70
4. Backup and Recovery\Factory Default.....	71
5. Log\Syslog.....	72
6. Log\Local Log.....	73
Chapter 3: Networking.....	74
Communications.....	74
Type of Communication.....	74
Cable Modem (CM) Section.....	75
Networking Section.....	75
Three Networking Modes.....	75
Cable Modem (CM) Mode.....	76
Residential Gateway (RG) Mode.....	77
Chapter 4: Additional Information.....	79
Frequently Asked Questions.....	79
General Troubleshooting.....	81
Service Information.....	82
Glossary.....	83



CHAPTER 1: CONNECTIONS AND SETUP

Turning on the Wireless Voice Gateway

After installing the Wireless Voice Gateway and turn it on for the first time (and each time the modem is reconnected to the power), it goes through several steps before it can be used. Each of these steps is represented by a different pattern of flashing lights on the front of the modem.

If there is no lighted LEDs on the front panel, check the power adapter plug-in the power jack and connect to CM correctly.

Note: All indicators flash once before the initialization sequence.

If both DS and US LEDs are flashing, it means the Wireless Voice Gateway is automatically updating its system software. Please wait for the lights to stop flashing. Do not remove the power supply or reset the Wireless Voice Gateway during this process.

Introduction

Wireless Voice Gateway Features

- Full Band Capture Front End
- Lowers Power with Advanced Power Management
- Advanced Processor architecture.
- Cable Europe Labs Euro-DOCSIS 1.0/1.1/2.0/3.0 Standard certified.
- Euro-PacketCable 1.0/1.5 Standard certified.
- Support Multiple Provisioning mode.
- Standard RJ-45 connector for 10/100/1000BaseT Ethernet with auto-negotiation and MDIX functions.
- RJ-11 Foreign Exchange Station (FXS) port for IP telephony.
- Support simultaneous voice and data communications.
- Echo Cancellation.
- Voice Active Detection (VAD).
- DTMF detection and generation.
- Comfort Noise Generation (CNG).
- Support V.90 fax and modem services.
- SNMP network management support.
- 802.11a/b/g/n are supported, 20/40 MHz bandwidth.
- Support Web pages and private DHCP server for status monitoring.



What’s on the CD-ROM

Insert the Wireless Voice Gateway CD-ROM into your CD-ROM drive to view troubleshooting tips, the internal diagnostics, and other valuable information.

CD-ROM Contents:

- Electronic copy of this user’s guide in additional languages (PDF format)
- Adobe Acrobat Reader — application you can load to read PDF format, if you don’t have it loaded already
- Links to Technicolor web site

Euro-DOCSIS and Euro-PacketCable are trademarks of Cable Television Laboratories, Inc.

Computer Requirements

For the best possible performance from your Wireless Voice Gateway, your personal computer must meet the following minimum system requirements (note that the minimum requirements may vary by cable companies):

	IBM PC COMPATIBLE	MACINTOSH**
CPU	Pentium preferred	PowerPC or higher
System RAM	16MB (32MB preferred)	24MB (32MB preferred)
Operating System	Windows* NT / 2000 / Me / XP / Vista / Windows 7, Linux	Mac OS** 7.6.1 or higher
Video	VGA or better (SVGA preferred)	VGA or better (SVGA built-in preferred)
CD-ROM Drive	Required	Required
Ethernet	10BaseT , 100BaseT or 1000BaseT 10BaseT , 100BaseT or 1000BaseT An Ethernet card makes it possible for your computer to pass data to and from the internet. You must have an Ethernet card and software drivers installed in your computer. You will also need a standard Ethernet cable to connect the Ethernet card to your Wireless Voice Gateway.	
Software	<ul style="list-style-type: none"> • A TCP/IP network protocol for each machine • Microsoft Internet Explorer 4.0 or later or Netscape Navigator 4.0 or later. 	

* Windows is a trademark of Microsoft Corporation.

** Macintosh and the Mac OS are trademarks of Apple Computer, Inc.

Wireless Voice Gateway Overview

Front Panel

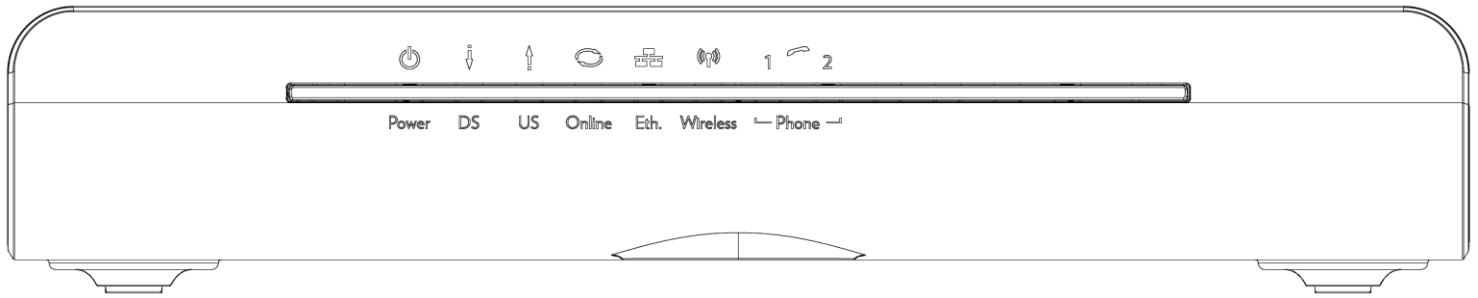









Fig. 1-1 Front Panel

The following illustration shows the front panel:

-  **Power** - Indicates the Power status.
-  **DS** - Indicates the status of Data reception by the cable modem from the Network (Downstream Traffic).
-  **US** - Indicates the status of Data transmission by the cable modem to the Network (Upstream Traffic).
-  **Online** - Displays the status of your cable connection. The light is off when no cable connection is detected and fully lit when the modem has established a connection with the network and data can be transferred.
-  **Eth.** - Indicates the state of Ethernet ports.
-  **Wireless** - Indicates the traffic on the wireless network.
-  **Tel** - Indicates the status of the telephone Phone 1 and Phone 2.



The lights on the front panel LEDs are described in the table below (from left to right):

ON = the LED is light, OFF = the LED is gray, FLASH = the LED is blinking.

TC7200.U	Power	Internet			Eth.	Wireless	Phone 1	Phone 2	Description
		DS	US	Online					
Boot-up Operation	ON	ON	ON	ON	ON	X	ON	ON	Power on 0.25 sec
	ON	0.25 second							
	ON	FLASH	FLASH	FLASH	X	X	X	X	From power ON to system initialization complete
	ON	ON	ON	ON	X	X	X	X	Following system initialization complete to (before) DS scanning
1 second									
DOCSIS Start-up Operation	ON	FLASH	OFF	OFF	X	X	X	X	During DS scanning and acquiring SYNC
	ON	ON	FLASH	OFF	X	X	X	X	From SYNC completed, receiving UCD to ranging completed
	ON	ON	ON	FLASH	X	X	X	X	During DHCP, configuration file download, registration, and Baseline Privacy initialization: DHCP status: 1 second ON and 1 second OFF, TFTP status: 0.25 second ON and 0.25 second OFF
	ON	ON	ON	ON	X	X	X	X	Operational (NACO=ON)
	ON	FLASH	FLASH	OFF	X	X	X	X	Operational (NACO=OFF)
Channel Bonding Operation	FLASH	FLASH	FLASH	FLASH	FLASH	X	X	X	Wait registration with all DS and all US – Lights Flash sequentially from the right to left Minimum duration 3 seconds
	X	X	X	X	OFF	X	X	X	From 1 to 4 DS, from 1 to 4 LEDs are ON From 5 to 8 DS, From 1 to 4 LEDs are flashing Duration 3 seconds
	OFF	X	X	X	X	X	X	X	From 1 to 4 US, from 1 to 4 LEDs are ON.
	FLASH	FLASH	FLASH	FLASH	FLASH	X	X	X	Wait registration with all DS and all US – Lights Flash sequentially from the left to right
MTA initialization	ON	ON	ON	ON	X	X	FLASH	OFF	MTA DHCP
	ON	ON	ON	ON	X	X	OFF	FLASH	MTA SNMP/TFTP
	ON	ON	ON	ON	X	X	ON	ON	RSIP for NCS/Register for SIP
CPE Operation	ON	X	X	X	OFF ON FLASH	OFF ON FLASH	X	X	No Ethernet / Wireless Link Ethernet / Wireless Link TX/RX Ethernet / Wireless Traffic
MTA Operation	ON	<CM Normal Operation>					ON	ON	Both Lines On-Hook
	ON						FLASH	ON	Tel1 Off-hook, Tel2 On-hook
	ON						ON	FLASH	Tel1 On-hook, Tel2 Off-hook
	ON						FLASH	FLASH	Both Lines Off-Hook



SW Download Operation	ON	FLASH	FLASH	ON	X	X	X	X	A software download and while updating the FLASH memory
-----------------------------	----	-------	-------	----	---	---	---	---	---

Table 1-1 LED behavior

Rear Panel

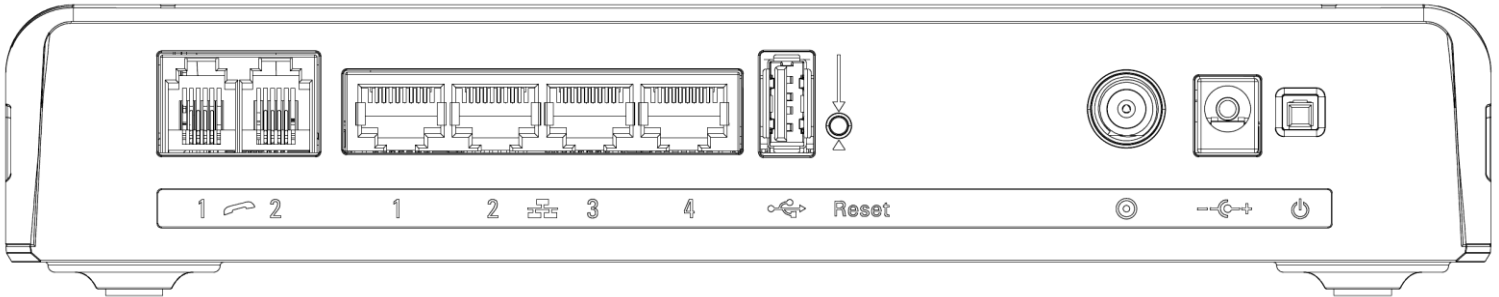


Fig. 1-2 Rear Panel

Connector	Description
Power Switch	Power on, off the Cable modem.
Power Jack	Connector for DC12V.
Cable	Connector for the cable network.
Reset	To restart the modem or press over 5 seconds can default the modem.
USB Host	USB 2.0 connector
Ethernet	4 Gige Ethernet ports, RJ-45 connector.
Phone1/ Phone2	2 Phone RJ11 Connectors.

Table 1-2 Rear Panel description

Side Panel for WPS

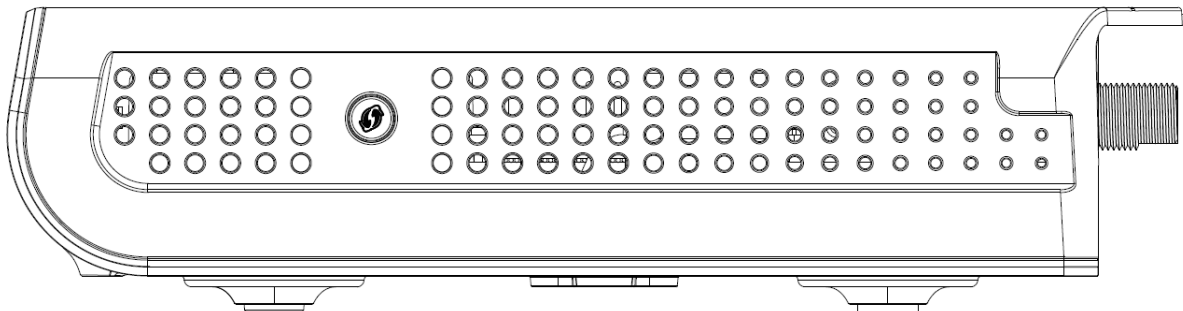


Fig. 1-3 Side Panel



WPS – Indicates the status of the WPS functionality.

WPS button: Wi-Fi Protected Setup™. This button can be used to:

Secure the connection with another device (PC for example) using WPS protocol. A long press (press 2 more seconds) on the button allows you to enable the association of the modem with a PC or other equipment.

After link establish. A short press on the button, switch on/off Wi-Fi.

Wall Mounting

This article will show the user through the process of wall-mounting the Wireless Voice Gateway

The Adapter has two wall-mount slots on its back panel.

Two screws are needed to mount the Adapter.

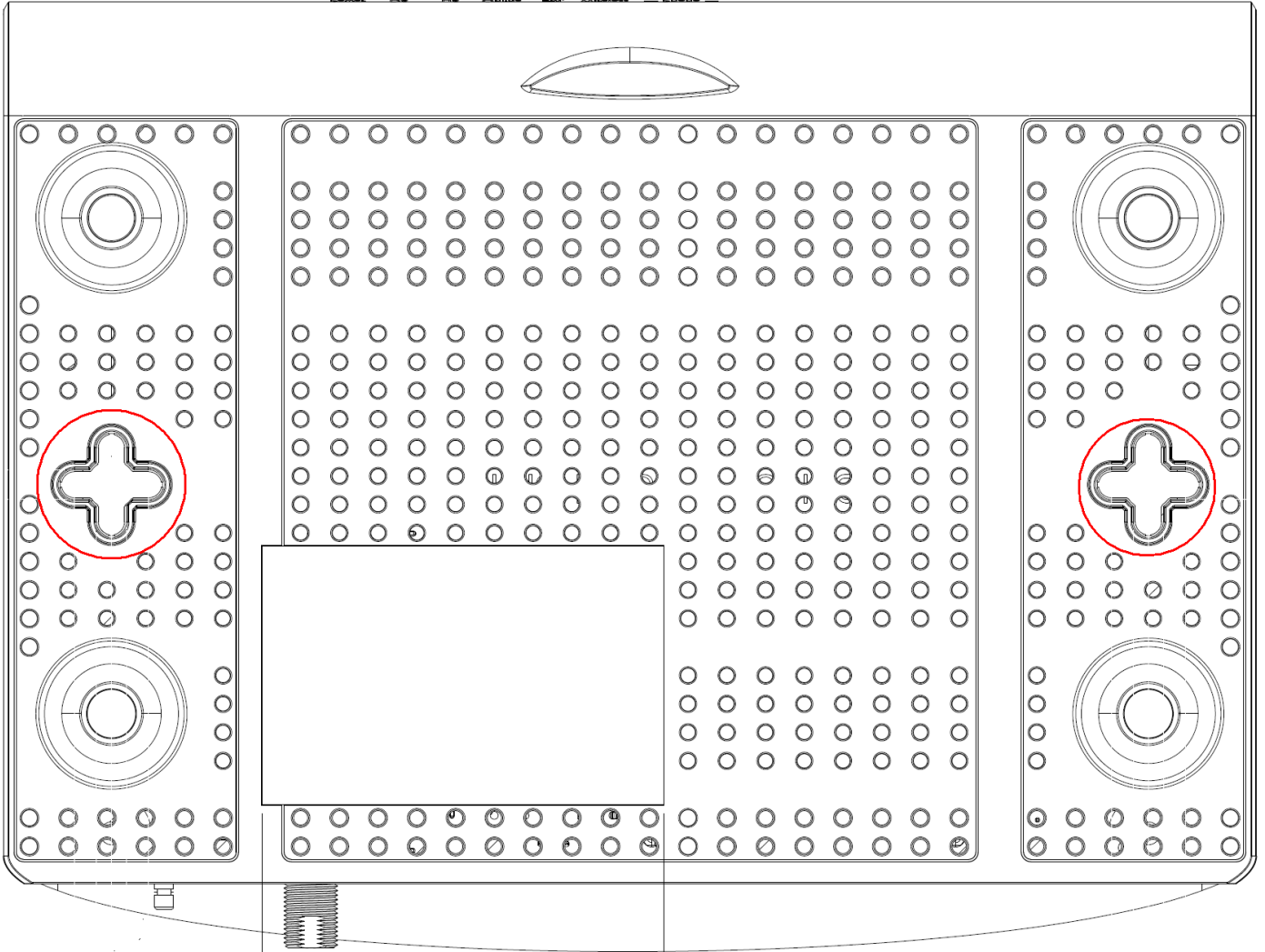


Fig. 1-4 Wall Mounting

To do this:

1. Ensure that the wall you use is smooth, flat, dry and sturdy and use the 2 screw holes which are 101.6 mm (4 inches) apart from each other.
2. Fix the screws into wall, leaving their heads 3 mm (0.12 inch) clear of the wall surface.
3. Remove any connections to the unit and locate it over the screw heads. When in line, gently push the unit on to the wall and move it downwards to secure.

Relationship among the Devices

This illustration shows a cable company that offers DOCSIS/Euro-DOCSIS and PacketCable/Euro-PacketCable compliant voice/data services.

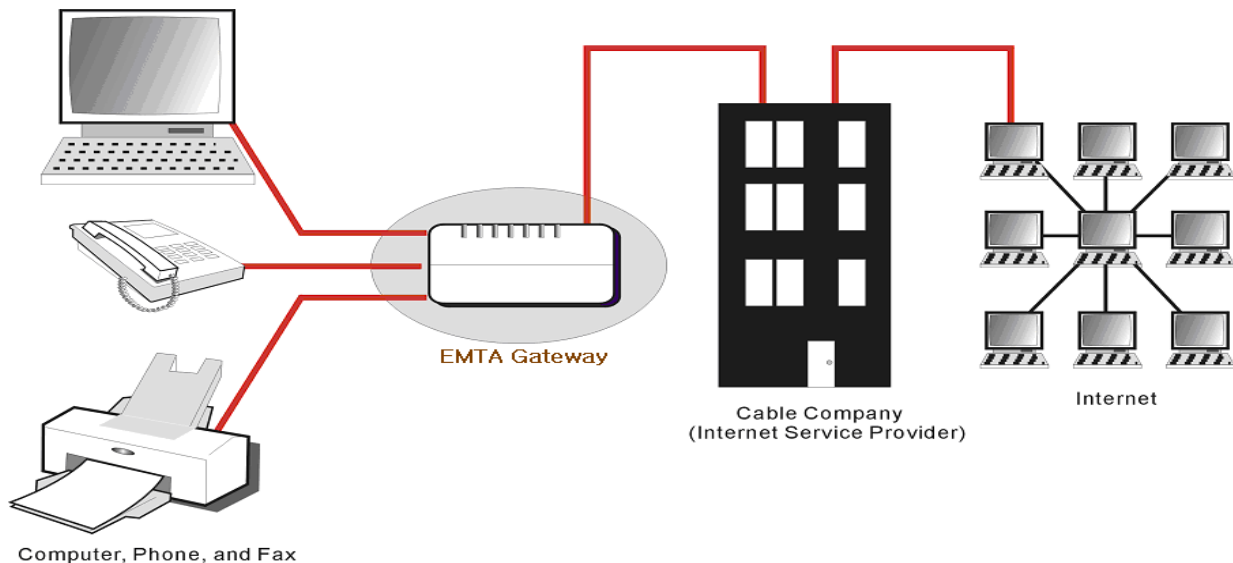


Fig. 1-5 Connection overview

What the Modem Does

The Wireless Voice Gateway provides high-speed Internet access as well as cost-effective, toll-quality telephone voice and fax/modem services over residential, commercial, and education subscribers on public and private networks via an existing CATV infrastructure. It can inter-operate with the PacketCable compliant head-end equipment and provide the IP-based voice communications. The IP traffic can transfer between the Wireless Voice Gateway and DOCSIS/Euro-DOCSIS compliant head-end equipment. The data security secures upstream and downstream communications.

What the Modem Needs to Do Its Job

- **The Right Cable Company:** Make sure your local cable company provides data services that use cable TV industry-standard DOCSIS/Euro-DOCSIS compliant and PacketCable/Euro-PacketCable compliant technology.
- **The Internet/Telephony Service Provider (ISP/TSP):** Your cable company provides you access to an Internet Service Provider (ISP) and Telephony Service Provider (TSP). The ISP is your gateway to the Internet and provides you with a pipeline to access Internet content on the World Wide Web (WWW). The TSP provides you with telephony access to other modems or other telephony services over the Public Switched Telephone Network (PSTN).

Check with your cable company to make sure you have everything you need to begin; they'll know if you need to install special software or re-configure your computer to make your cable internet service work for you.



Contact Your Local Cable Company

You will need to contact your cable company to establish an Internet account before you can use your gateway. You should have the following information ready (which you will find on the sticker on the gateway):

- The serial number
- The model number
- The Cable Modem (CM) Media Access Control (MAC) address
- The Terminal Adapter (EMTA) MAC address
- Security information: Service Set Identifier (SSID), Encryption key / passphrase (WPA2-PSK by default), channel number. Default values are indicated underneath the modem on the sticker.

Please check the following with the cable company

- The cable service to your home supports DOCSIS/Euro-DOCSIS compliant two-way modem access.
- Your internet account has been set up. (The Media Terminal Adapter will provide data service if the cable account is set up but no telephony service is available.)
- You have a cable outlet near your PC and it is ready for Cable Modem service.

Note: It is important to supply power to the modem at all times. Keeping your modem plugged in will keep it connected to the Internet. This means that it will always be ready whenever you need.

Important Information

Your cable company should always be consulted before installing a new cable outlet. Do not attempt any rewiring without contacting your cable company first.

Please verify the following on the Wireless Voice Gateway

The Power LED should be lighted when plug-in the power supply.

Connecting the Wireless Voice Gateway to a Single Computer

This section of the manual explains how to connect your Wireless Voice Gateway to the Ethernet port on your computer and install the necessary software. Please refer to Figure 1-5 to help you connect your Digital Cable Modem for the best possible connection.



Attaching the Cable TV Wire to the Wireless Voice Gateway

1. Locate the Cable TV wire. You may find it one of three ways:
 - a. Connected directly to a TV, a Cable TV converter box, or VCR. The line will be connected to the jack, which should be labeled either IN, CABLE IN, CATV, CATV IN, etc.
 - b. Connected to a wall-mounted cable outlet.
 - c. Coming out from under a baseboard heater or other location. See Figure 1-6 for the wiring example.

Notes: For optimum performance, be sure to connect your Wireless Voice Gateway to the first point the cable enters your home. The splitter must be rated for at least 1GHz.

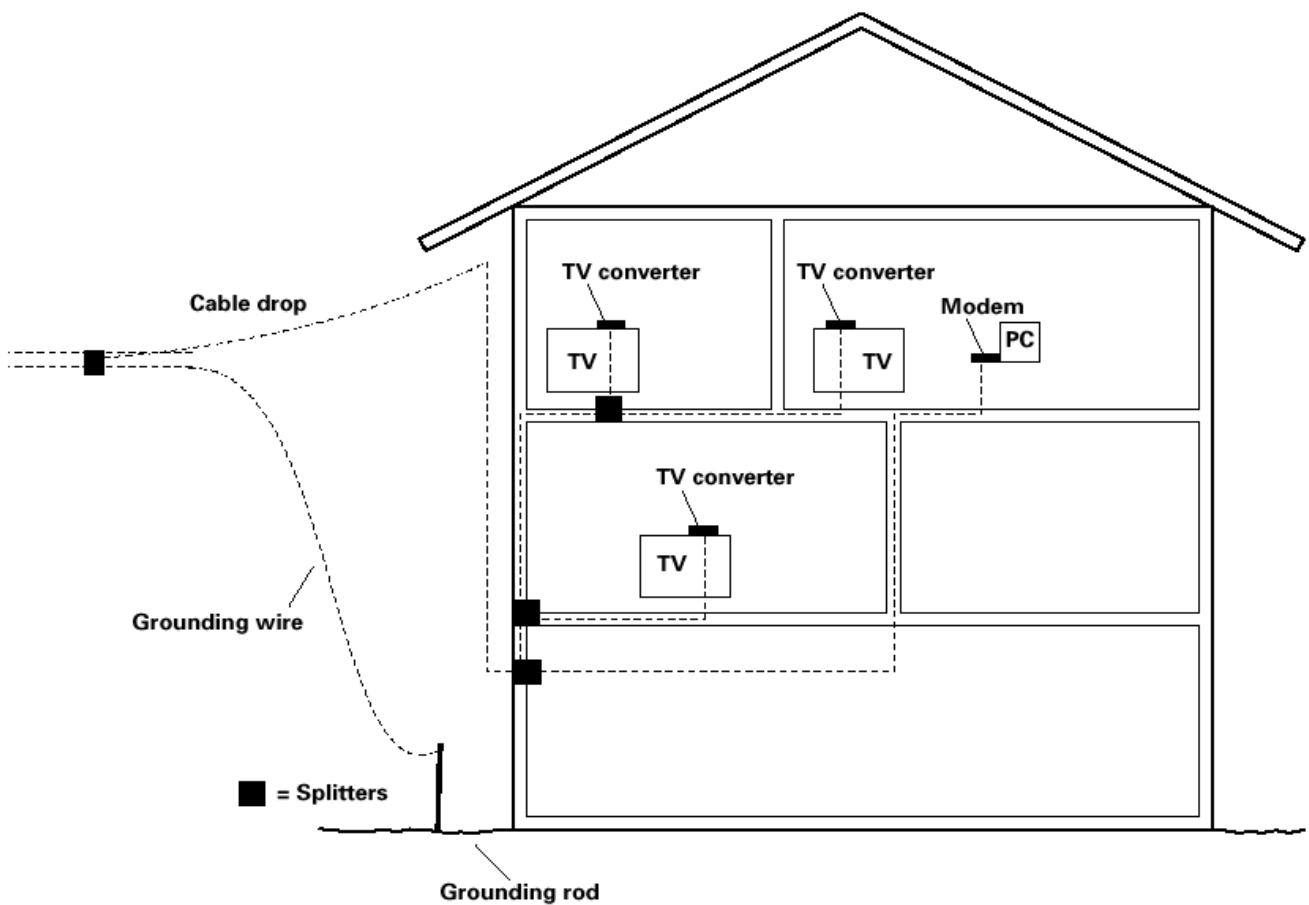


Fig. 1-6 Basic Home Wiring

Installation procedure for connecting to the Ethernet interface

Follow these steps for proper installation.

Plug the coaxial cable to the cable wall outlet and the other end to the modem's cable connector.

Note: To ensure a fast registration of the modem, the coaxial cable must be connected to the modem before it is powered on.

Plug the power supply into the socket of the cable modem and two-pin plug in the AC outlet then press the Power Switch, power on the modem.

Note: Only use the power supply that comes with the modem. Using another power supply can cause damage to the product, and will void the warranty.

Connect an Ethernet cable (direct connection, see below) to the Ethernet port at the back of the computer, and the other end to the ETHERNET port on the rear panel of the cable modem. The modem will seek the appropriate cable signal on the cable television network and go through the initial registration process on its own. The modem is ready for data transfer after the green LED "ONLINE" is lit continuously.

Note: the button "reset" at the back of the modem is used primarily for maintenance.

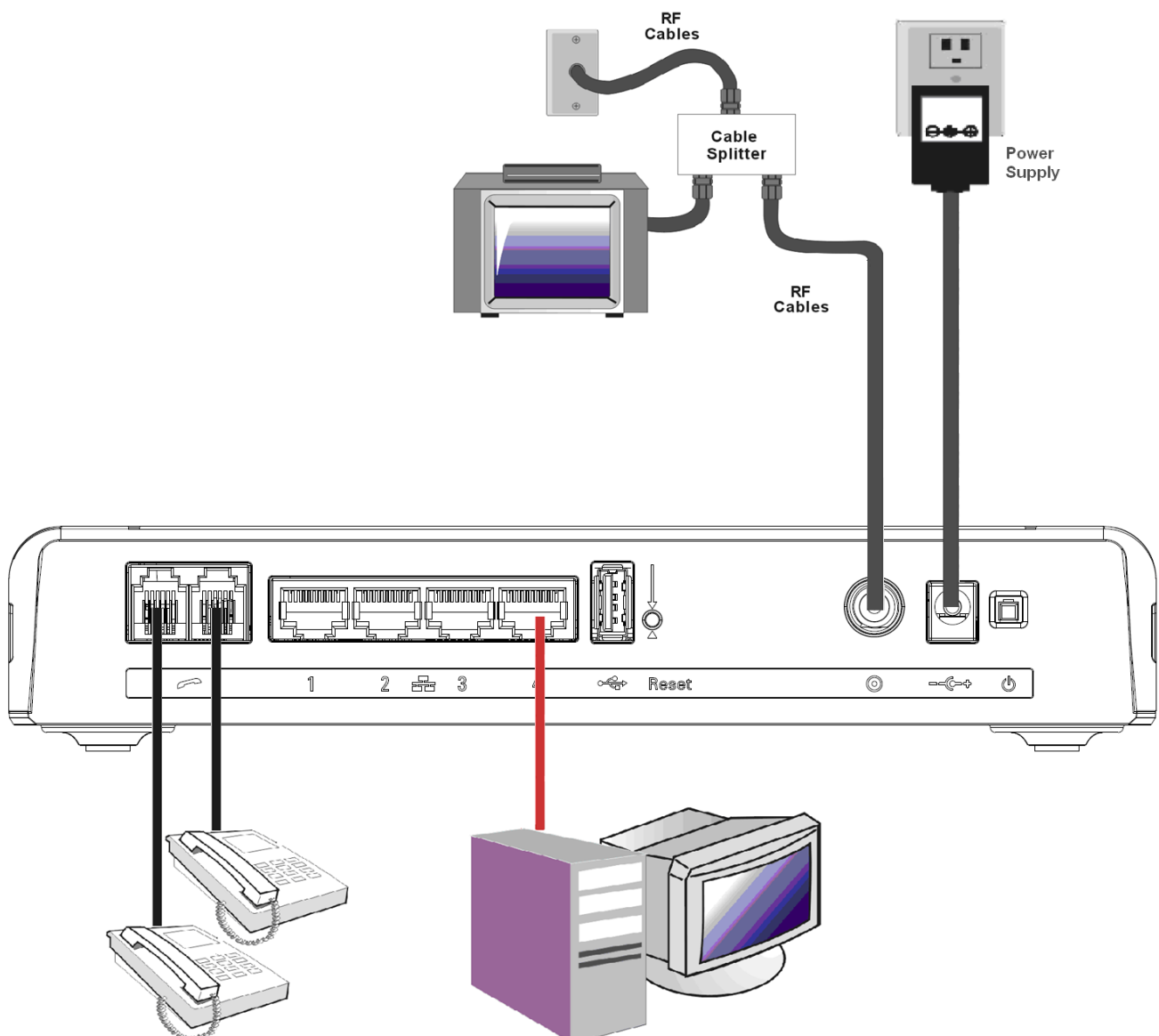


Fig. 1-7 Connect to the Modem



Telephone or Fax Connection

When properly connected, most telephony devices can be used with the Wireless Voice Gateway just as with a conventional telephone service. To make a normal telephone call, pick up the handset; listen for a dial tone, then dial the desired number. For services such as call waiting, use the hook switch (or FLASH button) to change calls. The following procedures describe some of the possible connection schemes for using telephony devices with the Wireless Voice Gateway.

1. Connect a standard phone line cord directly from the phone (fax machine, answering machine, caller ID box, etc.) to one of the LINE jacks on the Wireless Voice Gateway.
2. If there is a phone line in your home which is NOT connected to another telephone service provider, connect a standard phone line cord from a jack on this line to one of the LINE jacks of the Wireless Voice Gateway. Connect a standard phone line cord directly from the phone (fax machine, answering machine, caller ID box, etc.) to one of the other jacks in the house that uses that line.
3. If you have a multi-line telephone, connect a standard phone line cord (not an RJ-14 type line cord) from the phone to the LINE jacks on the Wireless Voice Gateway. (Other phones can be added to each line by using standard phone line splitters.)

CHAPTER 2: WEB CONFIGURATION

To make sure that you can access the Internet successfully, please check the following first.

1. Make sure the connection (through Ethernet) between the Wireless Voice Gateway and your computer is OK.
2. Make sure the TCP/IP protocol is set properly.
3. Subscribe to a Cable Company.

Accessing the Web Configuration

The **Wireless Voice Gateway** offers local management capability through a built-in HTTP server and a number of diagnostic and configuration web pages. You can configure the settings on the web page and save them to the device.

Once your host PC is properly configured; please proceed as follows:

1. Start your web browser and type the private IP address of the Wireless Voice Gateway on the URL field: **192.168.0.1**
2. After connecting to the device, you will be prompted to select a Country and Language. This page will be brought to you at the first login if the device has been set to user or operator factory defaults. Select the country and language that you preferred and then click “Next” for proceeding to Login page.

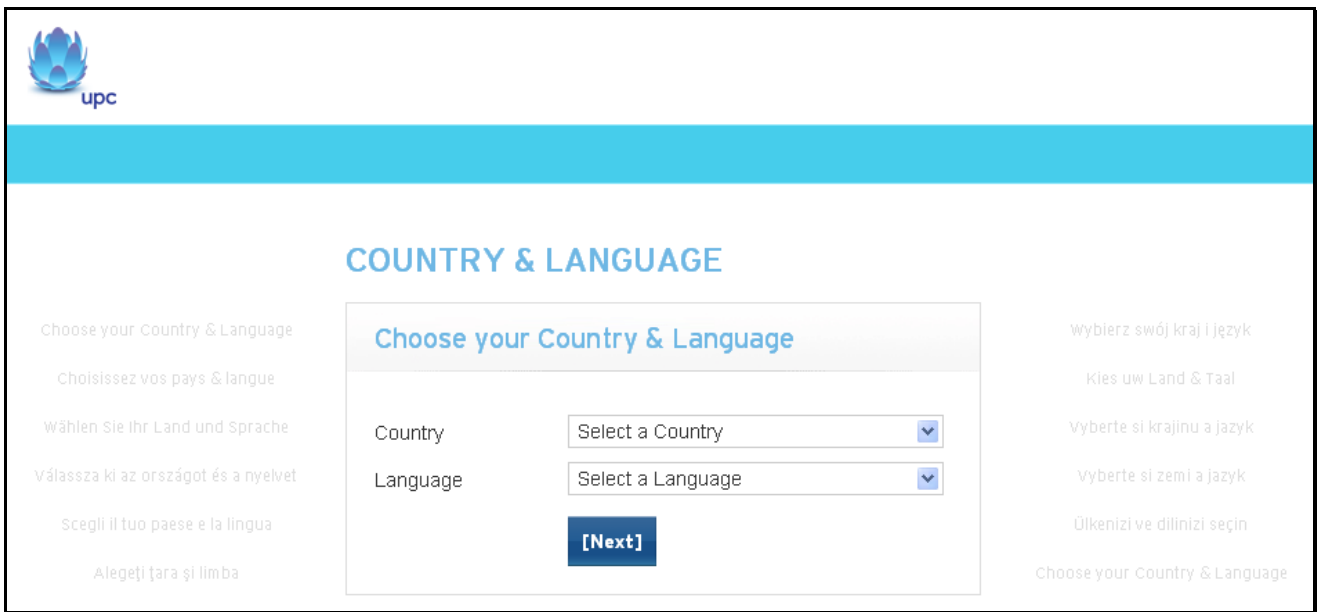


Fig2-1 Country and Language page



3. You will be prompted to enter username and password if this is not the first login. By default, the username is “**admin**” and the password is “**admin**”.

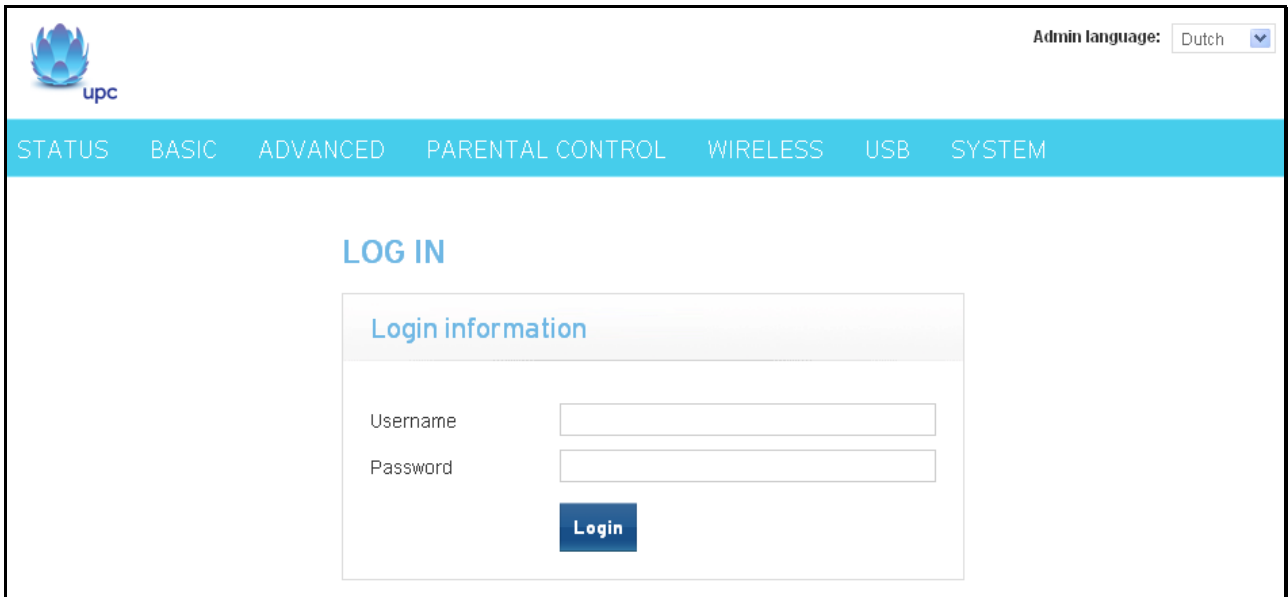


Fig2-2 Login page

If you login successfully, the main page will appear.

The following page will be displayed if the given username or password is wrong.

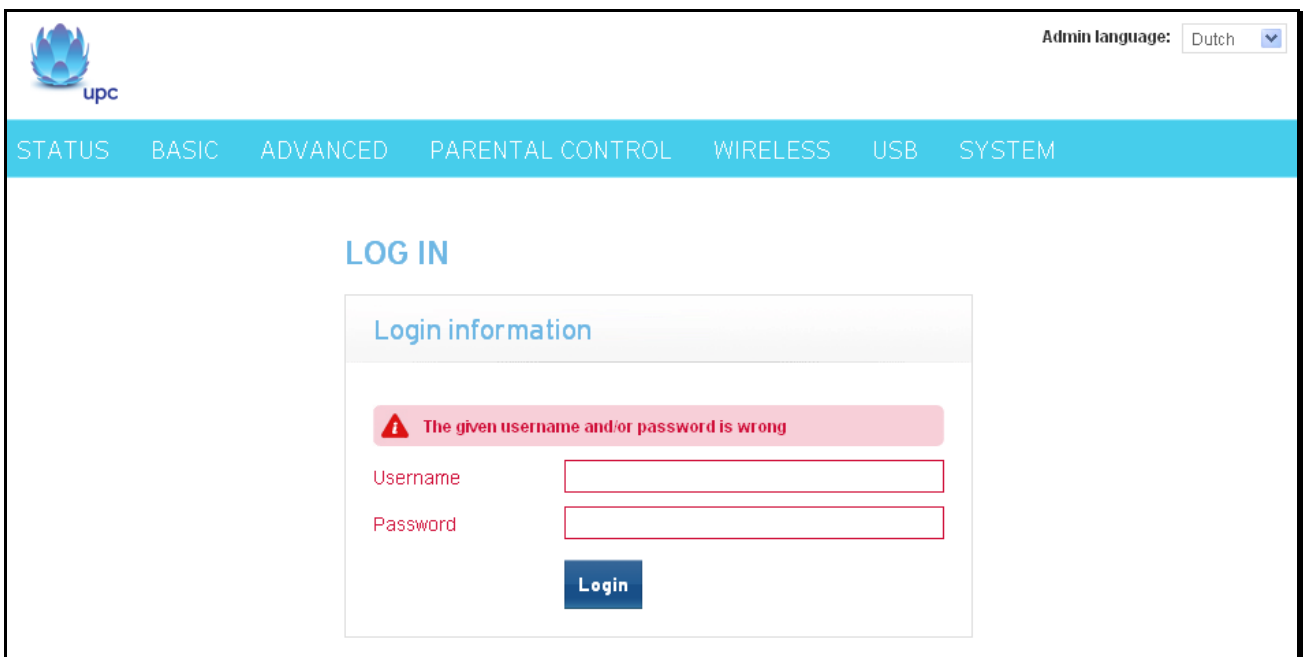


Fig2-3 Wrong username/password page

Outline of Web Manager

The main screen will be shown as below.

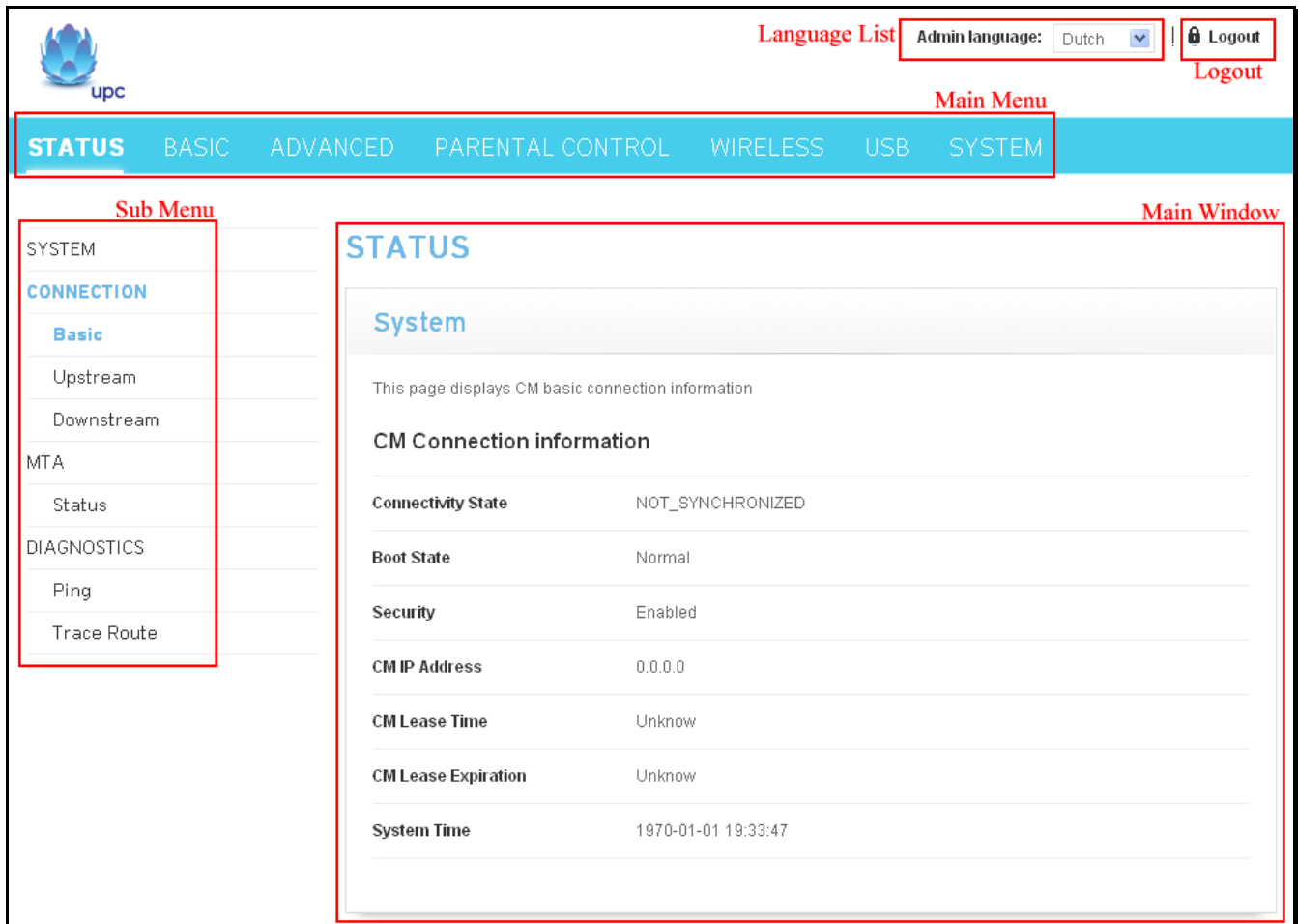


Fig. 2-4 Outline of Web Manager

- **Main Menu:** the hyperlinks on the top of the page, including STATUS, BASIC, ADVANCED, PARENTAL CONTROL, WIRELESS and SYSTEM items
- **Sub Menu:** the sidebar on the left side of the page indicates the title of this management interface, e.g., Status in this example
- **Main Window:** the current workspace of the web management, containing configuration or status information
- **Language List:** List all of the language supported. Click the drop list and select the language that you preferred.
- **Logout:** Click “Logout” for logging out.

For easy navigation, the pages are organized in groups with group in names main menu. Individual page names within each group are provided in the sub menu and sidebar. So to navigate to a page, click the group hyperlink at the top, then the sub menu for the function, finally choose the title on the sidebar.

Your cable company may not support the reporting of some items of information listed on your gateway’s internal web pages. In such cases, the information field appears blank. This is normal.



Status – Status Web Page Group

1. System

This page displays system information about your cable modem.

The CM Software information section of this page shows how long your gateway has operated since last time being powered up, and some key information the Cable Modem received during the initialization process with your cable company. If Network Access shows “Allowed,” then your cable company has configured your gateway to have Internet connectivity. If not, you may not have Internet access, and should contact your cable company to resolve this.

The screenshot shows the 'STATUS' web page for a Technicolor modem. The top navigation bar includes 'STATUS', 'BASIC', 'ADVANCED', 'PARENTAL CONTROL', 'WIRELESS', 'USB', and 'SYSTEM'. The 'SYSTEM' section is active, showing a sidebar with 'SYSTEM', 'CONNECTION', 'MTA', and 'DIAGNOSTICS'. The main content area displays 'System' information, including CM Software information, Gateway Serial Number, Installed Certification, System Uptime, Network Access, CM IP Address, Community Wi-Fi SSID, Community Wi-Fi Status, Number of devices connected to Community Wi-Fi, DS-Lite AFTR FQDN, and DS-Lite AFTR Address.

System	
This page displays CM system information	
CM Software information	
Standards Compliancy	DOCSIS 1.0
SW Version	0.43
HW Version	5
HFC Mac Address	00:14:34:FE:DO:20
Gateway Serial Number	
	EuroDOCSIS: installed
Installed Certification	
	DOCSIS: installed
	EuroPacketTable: installed
System Uptime	0 day 19h:32m:58s
Network Access	Enabled
CM IP Address	0.0.0.0
Community Wi-Fi SSID	1UPCWIFI
Community Wi-Fi Status	Enabled
Number of devices connected to Community Wi-Fi	0
DS-Lite AFTR FQDN	fqdn.upc.com
DS-Lite AFTR Address	0.0.0.0

Fig.2-5 Status\System



2. Connection/Basic

This page reports current CM basic connection information containing Connectivity State, Boot State, Security, CM IP address, Lease Time, Lease Expiration and current System time. The information can be useful to your cable company's support technician if you're having problems.

The screenshot shows the Technicolor web interface. At the top left is the 'upc' logo. At the top right, it says 'Admin language: Dutch' with a dropdown arrow and a 'Logout' button. Below this is a navigation bar with tabs: STATUS (selected), BASIC, ADVANCED, PARENTAL CONTROL, WIRELESS, USB, and SYSTEM. On the left side, there is a sidebar menu with categories: SYSTEM, CONNECTION (selected), MTA, and DIAGNOSTICS. Under CONNECTION, there are sub-items: Basic (selected), Upstream, and Downstream. The main content area is titled 'STATUS' and contains a 'System' section. Below this section, there is a table of CM Connection information.

CM Connection information	
Connectivity State	NOT_SYNCHRONIZED
Boot State	Normal
Security	Enabled
CM IP Address	0.0.0.0
CM Lease Time	Unknow
CM Lease Expiration	Unknow
System Time	1970-01-01 19:33:47

Fig. 2-6 Status\Connection\Basic



3. Connection/Upstream

This page reports current CM's upstream information containing Transmitter #, Channel ID, Lock Status, Frequency, Modulation, Symbol Rate, Channel Type and Power. The information can be useful to your cable company's support technician if you're having problems.

The screenshot shows the Technicolor web interface. At the top right, there is a language dropdown set to 'Dutch' and a 'Logout' button. The main navigation bar includes 'STATUS', 'BASIC', 'ADVANCED', 'PARENTAL CONTROL', 'WIRELESS', 'USB', and 'SYSTEM'. The left sidebar has a tree view with categories: SYSTEM, CONNECTION (selected), MTA, and DIAGNOSTICS. Under 'CONNECTION', there are sub-items: Basic, Upstream (selected), and Downstream. The main content area is titled 'STATUS' and contains a sub-section 'Upstream' with the text 'This page displays CM's upstream informations'. Below this is a table titled 'Upstream Channel Status' with the following data:

Transmitter #	Channel ID	Lock Status	Frequency	Modulation	Symbol Rate	Channel Type	Power
1	0	Unlocked	10000000	N/A	0	ATDMA	0.0
2	0	Unlocked	10000000	N/A	0	ATDMA	0.0
3	0	Unlocked	10000000	N/A	0	ATDMA	0.0
4	0	Unlocked	10000000	N/A	0	ATDMA	0.0

Fig. 2-7 Status\Connection\Upstream



4. Connection/Downstream

This page reports current CM’s downstream information containing Receiver #, Channel ID, Lock Status, Frequency, Modulation, Symbol Rate, SNR and Power. The information can be useful to your cable company’s support technician if you’re having problems. By entering frequency in KHz and clicking “Force frequency” button, you can force the CM locking to the specified frequency.

Admin language: Dutch | Logout

STATUS BASIC ADVANCED PARENTAL CONTROL WIRELESS USB SYSTEM

SYSTEM

CONNECTION

Basic

Upstream

Downstream

MTA

Status

DIAGNOSTICS

Ping

Trace Route

STATUS

Downstream

This page displays CM's downstream informations

Downstream channel status

Receiver #	Channel ID	Lock Status	Frequency	Modulation	Symbol Rate	SNR	Power
1	2	Unlocked	0	256QAM	6952	18.0	-50.6
2	255	Locked	0	256QAM	6952	20.5	0.0
3	255	Locked	0	256QAM	6952	20.6	0.0
4	255	Locked	0	256QAM	6952	20.8	0.0
5	255	Locked	0	256QAM	6952	24.6	0.0
6	255	Locked	0	256QAM	6952	4.4	0.0
7	255	Locked	0	256QAM	6952	4.4	0.0
8	255	Locked	0	256QAM	6952	4.4	0.0

Frequency KHz **Force frequency**

Fig. 2-8 Status\Connection\Downstream



5. MTA/Status

This page displays the initialization status of the MTA containing Telephony DHCP, Security, TFTP, Call Server and Provisioning Status. The information can be useful to your cable company’s support technician if you’re having problems.

The MAC List state can be found at the bottom of this page. It reports the current state of Line1 and Line2.

Admin language: Dutch | Logout

STATUS BASIC ADVANCED PARENTAL CONTROL WIRELESS USB SYSTEM

SYSTEM
CONNECTION
Basic
Upstream
Downstream
MTA
Status
DIAGNOSTICS
Ping
Trace Route

STATUS

System

This page displays the initialization of the MTA.

Startup Procedure

Task	Status
Telephony DHCP	Not Completed
Telephony Security	Disabled
Telephony TFTP	Not Completed
Telephony Call Server	Not Registered
Telephony Provisioning Status	Step[0]Status[Not initiated]

MTA Line State

Line 1	N/A
Line 2	N/A

Fig. 2-9 Status\MTA\Status



6. Diagnostics/Ping

This page can be used for determining the quality of your network connection. By setting up the Destination IP address, Packet size, Packet count and then clicking “Start” button, you can check and determine the quality of network connection. The result of Ping will be displayed at the frame under Packet count. You can click the “Abort” button at any time during Ping test to abort the test. The information can be useful to your cable company’s support technician if you’re having problems.

The screenshot shows the UPnP web interface. At the top left is the 'upc' logo. At the top right, it says 'Admin language: Dutch' with a dropdown arrow and a 'Logout' button. Below this is a navigation bar with tabs: STATUS (selected), BASIC, ADVANCED, PARENTAL CONTROL, WIRELESS, USB, and SYSTEM. On the left side, there is a sidebar menu with categories: SYSTEM, CONNECTION (Basic, Upstream, Downstream), MTA (Status), DIAGNOSTICS (Ping, Trace Route). The main content area is titled 'STATUS' and contains a 'Ping' section. The 'Ping' section has the following fields: 'Destination IP' (text input), 'Packet size' (text input with 'Bytes [1~1500]' label), and 'Packet count' (text input with '[1~10]' label). Below these fields is a large text area labeled 'Ping text...'. At the bottom right of the 'Ping' section are two buttons: 'Abort' and 'Start'.

Fig. 2-10 Status\Diagnostics\Ping



7. Diagnostics/Trace Route

With this page you can perform trace route to display the route (path) and measure transit delays of packets. In order to do trace route, a host IP and maximum TTL must be entered prior to start. Host IP is the destination that you plan to trace route to. The value of MAX TTL ranges from 1 to 30 seconds. Result of trace route will be displayed in ping text frame. You can click the “Abort” button at any time during trace route test to abort the test. The information can be useful to your cable company’s support technician if you’re having problems.

The screenshot shows the Technicolor web interface. At the top left is the 'upc' logo. At the top right, it says 'Admin language: Dutch' with a dropdown arrow and a 'Logout' button. Below this is a navigation bar with 'STATUS' highlighted in blue, followed by 'BASIC', 'ADVANCED', 'PARENTAL CONTROL', 'WIRELESS', 'USB', and 'SYSTEM'. On the left side, there is a sidebar menu with categories: 'SYSTEM', 'CONNECTION' (with sub-items: Basic, Upstream, Downstream), and 'MTA' (with sub-item: Status). Under 'DIAGNOSTICS', 'Ping' and 'Trace Route' are listed, with 'Trace Route' highlighted in blue. The main content area is titled 'STATUS' and contains a section for 'Trace Route'. It includes the instruction: 'Use this page to display the route(path) and measure transit delays of packets'. Under the heading 'Trace', there are three input fields: 'Host IP' (empty), 'First TTL[1-30]' (greyed out), and 'MAX TTL[1-30]' (empty). Below these is a large text area labeled 'Ping text...'. At the bottom right of the main content area are two buttons: 'Abort' (grey) and 'Start' (blue).

Fig. 2-11 Status\Diagnostics\Trace Route



Basic – Basic Web Page Group

1. Internet

This page shows you the basic configuration of broadband gateway related to your MSO’s connection. It allows configuration of Host Name and Domain Name if needed.

Clicking “WAN IP Renew” button will force the modem renewing WAN IP immediately.

The screenshot shows the 'Internet' configuration page in the Technicolor Basic Web Page Group. The page is titled 'Internet' and includes a description: 'This page allows configuration of the basic features of the broadband gateway related to your ISP's connection'. Under the heading 'Internet Status', the following information is displayed:

- IP Address:** 10.34.56.1
- Subnet Mask:** 225.225.225.0
- MAC Address:** e8:40:f2:5r:hj:34
- Expires on:** (empty field)
- Host Name:** (input field) (if required by ISP)
- Domain Name:** (input field) (if required by ISP)


At the bottom right of the configuration area, there are two buttons: 'WAN IP Renew' and 'Save'. The page also features a navigation menu with 'BASIC' selected, and a sidebar with 'INTERNET' selected. The top right corner shows 'Admin language: Dutch' and a 'Logout' button.

Fig.2-12 Basic\Internet



2. Local Area Network

This page allows you to configure Local Area Network, DHCP server, DNS server and Domain Name.



Admin language: Dutch | [Logout](#)

STATUS
BASIC
ADVANCED
PARENTAL CONTROL
WIRELESS
USB
SYSTEM

INTERNET

LOCAL AREA NETWORK

DHCP CLIENT DEVICES

BASIC

Local Area Network

This page allows to configure Local Area Network & DHCP Server

Network Configuration

IP Address	<input type="text"/>
Subnet Mask	<input type="text"/>
MAC Address	e8:40:f2:5r:hj:34
DHCP Server	Enabled ▼
Starting Local Address	<input type="text"/>
DHCP Pool Size	<input type="text"/>
Lease Time	<input type="text"/> Seconds
System Time	1970-01-01 21:38:00
DNS Server 1	<input type="text"/>
DNS Server 2	<input type="text"/>
Domain Name	<input type="text"/>

Save

Fig. 2-13 Basic\Local Area Network

Page 31 / 84



3. DHCP Client Devices

This page reports current DHCP client information containing Mac Address, IP Address and Time expiration of each client if the DHCP server was enabled in Local Area Network page.

The screenshot shows a web interface for a router. At the top left is the 'upc' logo. At the top right, it says 'Admin language: Dutch' with a dropdown arrow and a 'Logout' button. Below this is a navigation bar with tabs: STATUS, BASIC (selected), ADVANCED, PARENTAL CONTROL, WIRELESS, USB, and SYSTEM. On the left side, there is a sidebar menu with 'INTERNET', 'LOCAL AREA NETWORK', and 'DHCP CLIENT DEVICES' (selected). The main content area is titled 'BASIC' and 'DHCP Clients'. It contains the text 'The lease status of DHCP Server.' and a table with the following data:

Mac Address	IP Address	Expires On
D4:88:90:02:9E:79	192.168.192.5	1970-01-01 14:24:30

Fig. 2-14 Basic\DHCP Client Devices



Advanced – Advanced Web Page Group

1. Options

This page allows you to configure router options. You can activate settings by checking them and clicking “Save” button.

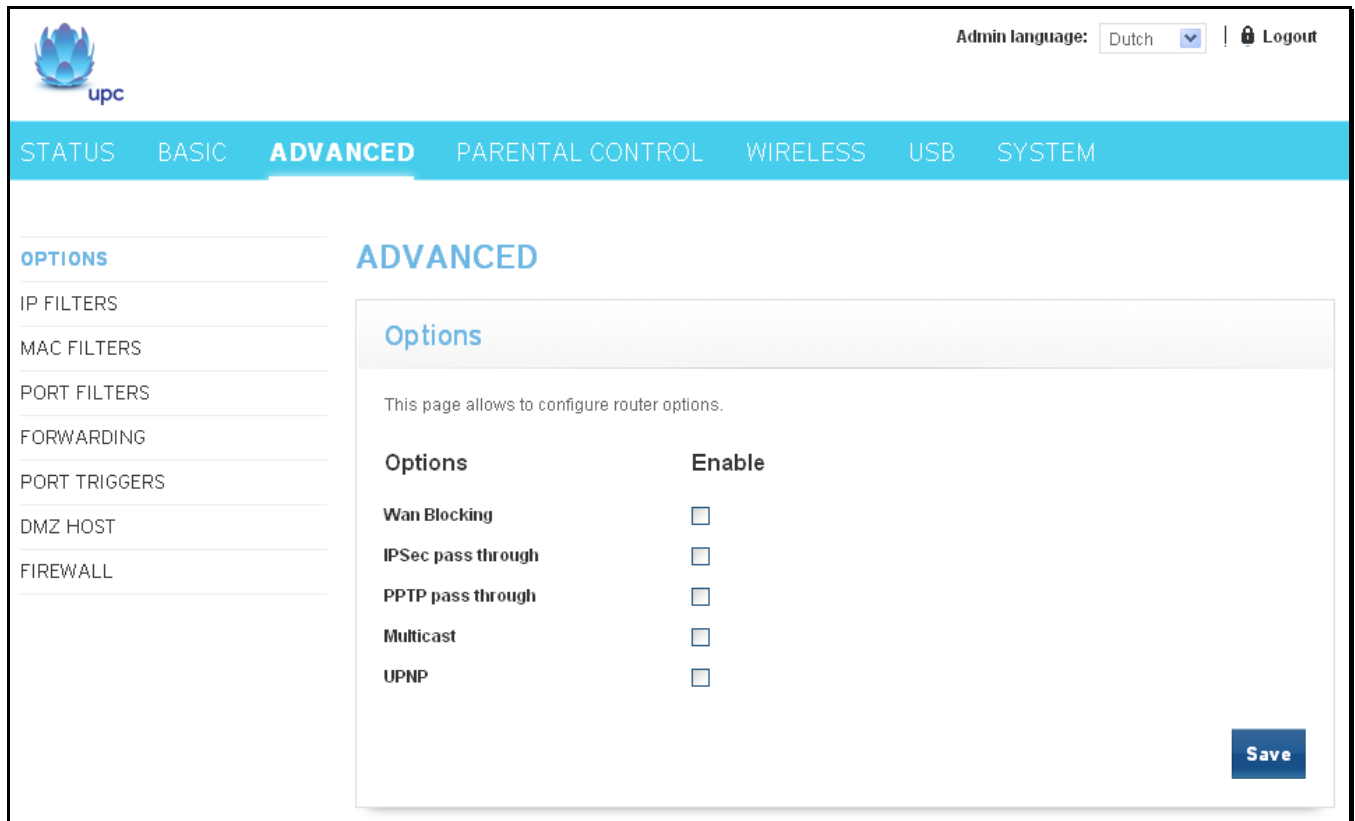


Fig.2-15 Advanced\Options

- **WAN Blocking** prevents others on the WAN side from being able to ping your gateway. With WAN Blocking enabled, your gateway will not respond to pings it receives, effectively “hiding” your gateway.
- **IPSec Pass Through** enables IPSec type packets to pass WAN ⇔ LAN. IPSec (IP Security) is a security mechanism used in Virtual Private Networks (VPNs).
- **PPTP Pass Through** enables PPTP type packets to pass WAN ⇔ LAN. PPTP (Point to Point Tunneling Protocol) is another mechanism sometimes used in VPNs.
- **Multicast** enables multicast traffic to pass WAN⇔ LAN. You may need to enable this to see some types of broadcast streaming and content on the Internet.
- **UPnP** Universal Plug and Play (UPnP) helps devices, such as Internet appliances and computers, access the network and connect to other devices as needed. UPnP devices can automatically discover the services from other registered UPnP devices on the network.



2. IP Filters

This page enables you to enter the IP address ranges of PCs on your LAN that you don't want to have outbound access to the WAN. These PCs can still communicate with each other on your LAN, but packets they send to WAN addresses are blocked by the gateway.

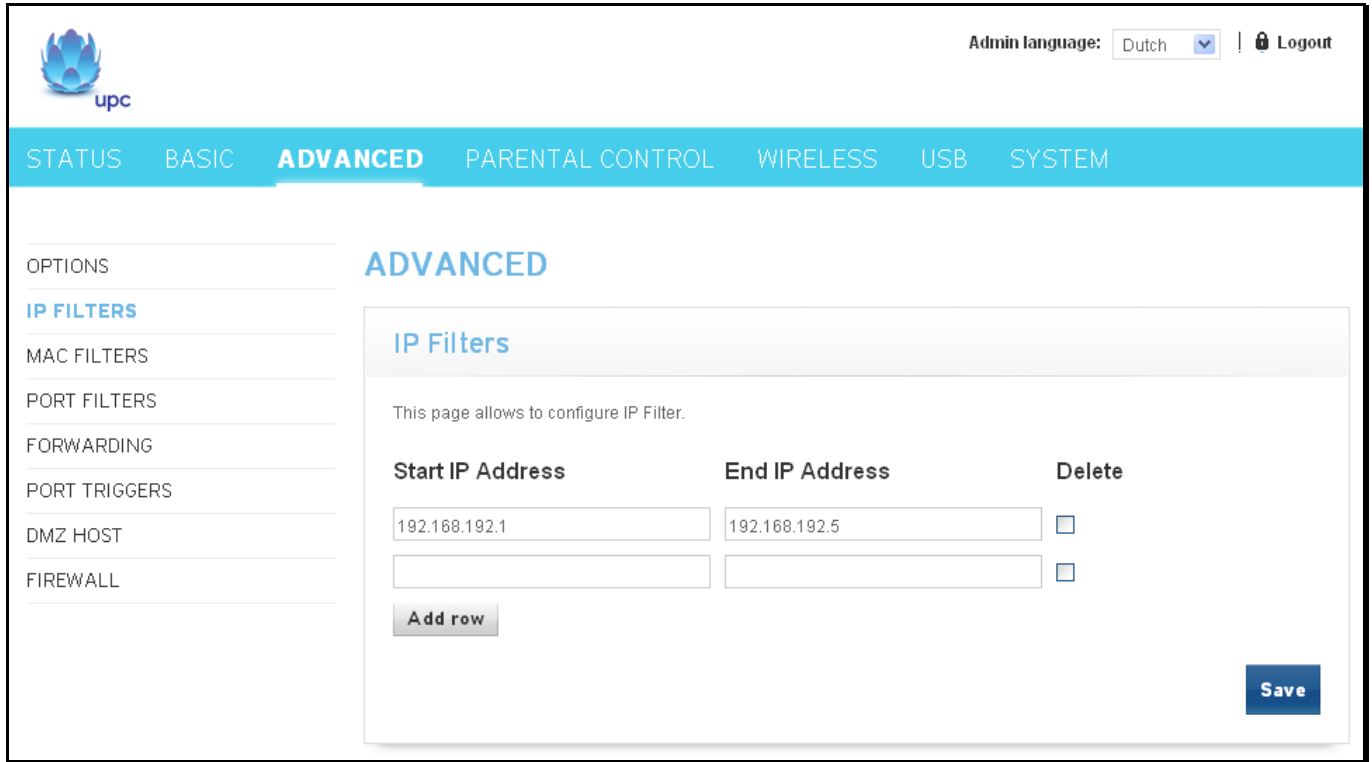


Fig. 2-16 Advanced\IP Filters

You can add a blank row to the list by clicking “Add row” button. Entering the IP address range of PCs on your LAN and then clicking “Save” button for saving the configuration.

Check the “Delete” option of a row and then clicking “Save” button for deleting the row.



3. MAC Filters

This page enables you to enter the MAC address of specific PCs on your LAN that you do not wish to have outbound access to the WAN. As with IP filtering, these PCs can still communicate with each other through the gateway, but packets they send to WAN addresses are blocked.

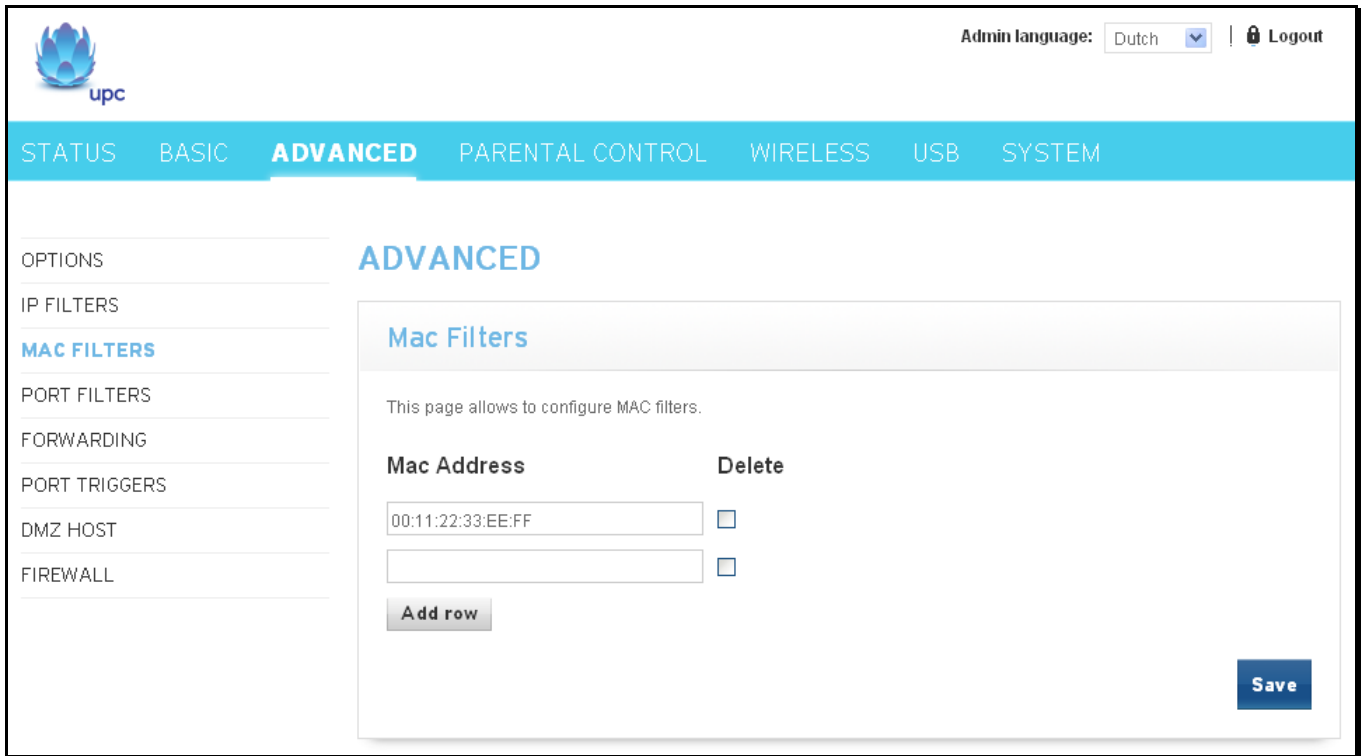


Fig. 2-17 Advanced\MAC Filters

You can add a blank row to the list by clicking “Add row” button. Entering the MAC address of PC on your LAN and then clicking “Save” button for saving the configuration.

Check the “Delete” option of a row and then clicking “Save” button for deleting the row.



4. Port Filters

This page allows you to enter ranges of destination ports (applications) that you don't want your LAN PCs to send packets to. Any packets your LAN PCs send to these destination ports will be blocked. For example, you could block access to worldwide web browsing (http = port 80) but still allow email service (SMTP port 25 and POP-3 port 110). To enable port filtering, set Start Port and End Port for each range, and click Apply. To block only one port, set both Start and End ports with the same value.

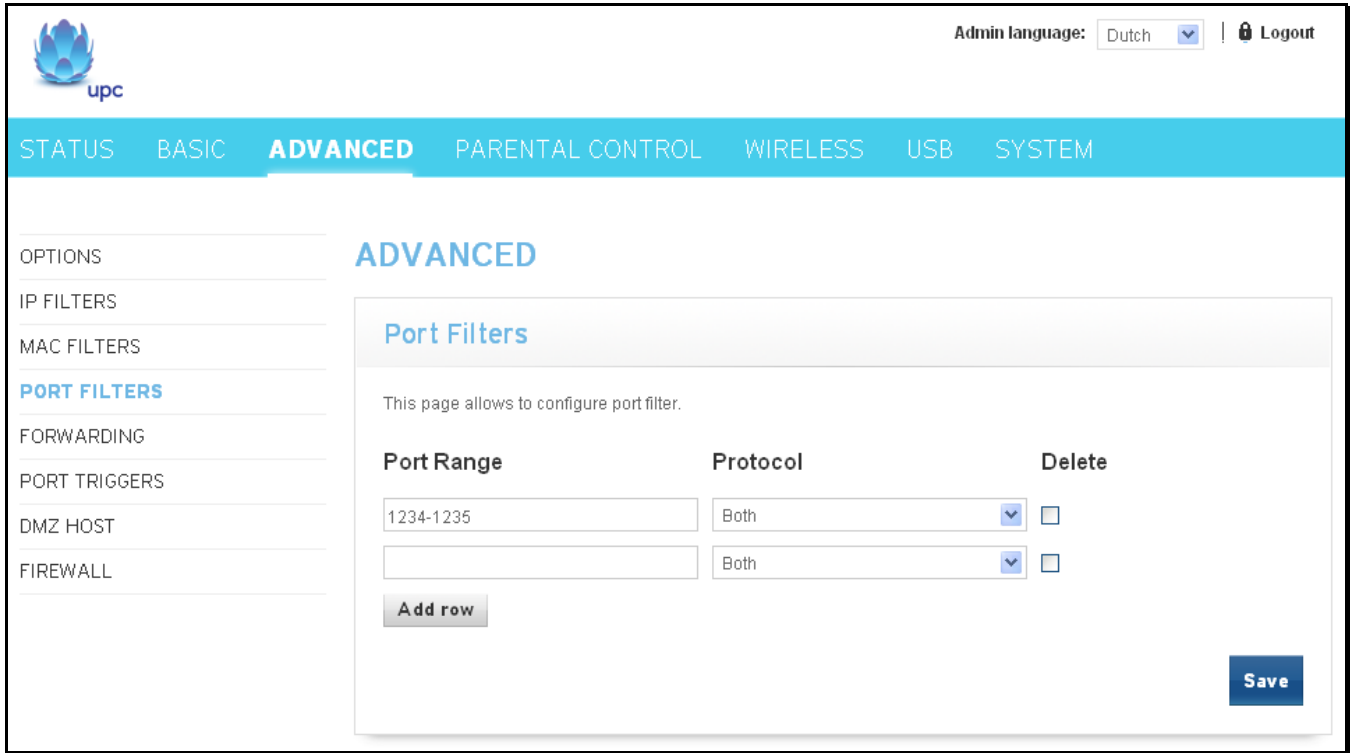


Fig.2-18 Advanced\Port Filters

You can add a blank row to the list by clicking “Add row” button. Entering the port range and protocol that you want to block and then clicking “Save” button for saving the configuration.

Check the “Delete” option of a row and then clicking “Save” button for deleting the row.

The protocol option can be Both, UDP or TCP. Both of UDP and TCP port will be blocked if “Both” was selected.



5. Forwarding

For LAN ⇔ WAN communications, the gateway normally only allows you to originate an IP connection with a PC on the WAN; it will ignore attempts of the WAN PC to originate a connection onto your PC. This protects you from malicious attacks from outsiders. However, sometimes you may wish for anyone outside to be able to originate a connection to a particular PC on your LAN if the destination port (application) matches one you specify.



Fig. 2-19 Advanced\Forwarding

You can add a blank row to the list by clicking “Add row” button. Entering the public port range, target IP address, target port range and protocol that you want to forward and then clicking “Save” button for saving the configuration.

Check the “Delete” option of a row and then clicking “Save” button for deleting the row.

The protocol option can be Both, UDP or TCP. Both of UDP and TCP port will be blocked if “Both” was selected.



6. Port Triggers

Some Internet activities, such as interactive gaming, require that a PC on the WAN side of your gateway be able to originate connections during the game with your game playing PC on the LAN side. You could use the Advanced-Forwarding web page to construct a forwarding rule during the game, and then remove it afterwards (to restore full protection to your LAN PC) to facilitate this. Port triggering is an elegant mechanism that does this work for you, each time you play the game.

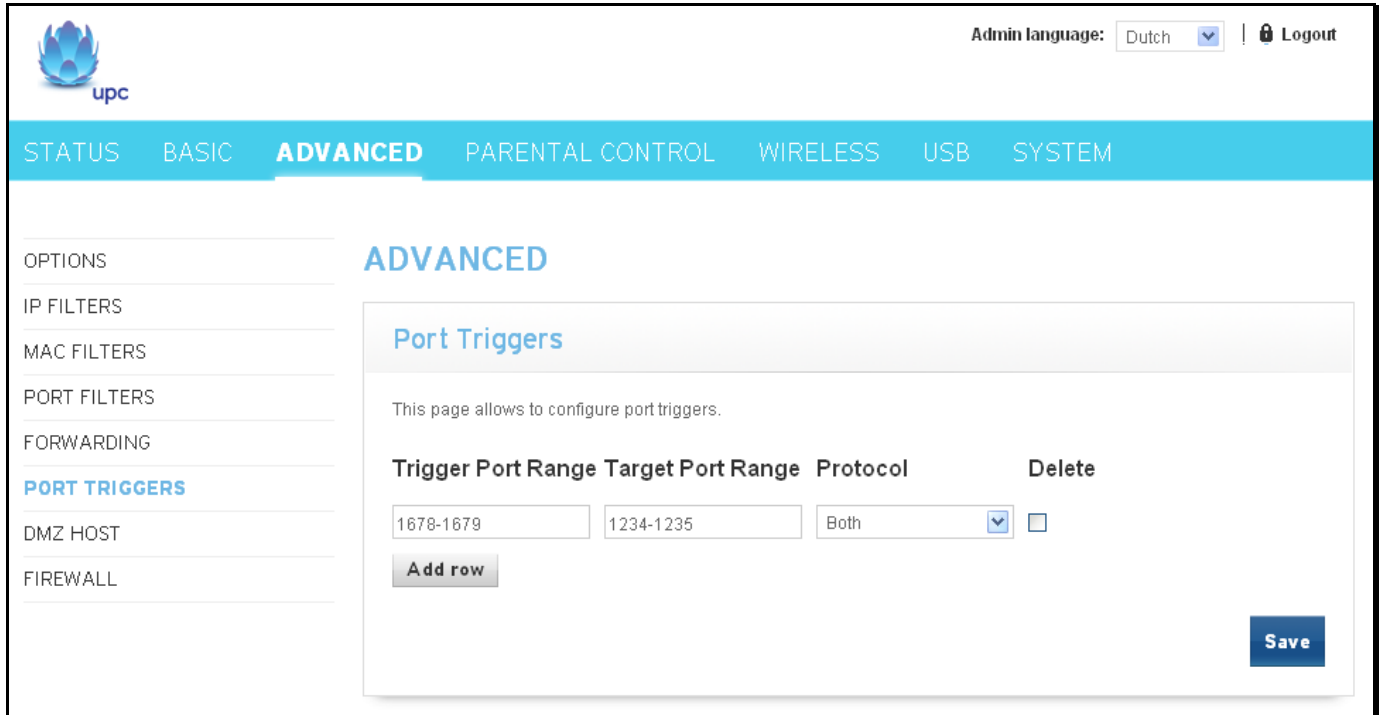


Fig. 2-20 Advanced\Port Triggers

Port Triggering works as follows. Imagine you want to play a particular game with PCs somewhere on the Internet. You make one time effort to set up a Port Trigger for that game, by entering into **Trigger Start Port** and **Trigger End Port** the range of destination ports your game will be sending to, and entering into **Target Start Port** the range of destination ports the other player (on the WAN side) will be sending to (ports your PC's game receives on). Application programs like games publish this information in user manuals. Later, each time you play the game, the gateway automatically creates the forwarding rule necessary. This rule is valid until 10 minutes after it sees game activity stop. After 10 minutes, the rule becomes inactive until the next matched outgoing traffic arrives.

e.g., suppose you specify Trigger Range from 6660 to 6670 and Target Range from 113 to 113. An outbound packet arrives at the gateway with your game-playing PC source IP address 192.168.0.10, destination port 666 over TCP/IP. This destination port is within the Trigger destined for port 113 to your game-playing PC at 192.168.0.10.



7. DMZ Host

Use this page to designate one PC on your LAN that should be left accessible to all PCs from the WAN side, for all ports. e.g., if you put an HTTP server on this machine, anyone will be able to access that HTTP server by using your gateway IP address as the destination. A setting of “0” indicates NO DMZ PC. “Host” is another Internet term for a PC connected to the Internet.

The screenshot shows the router's web interface. At the top left is the 'upc' logo. At the top right, it says 'Admin language: Dutch' with a dropdown arrow and a 'Logout' button. Below this is a navigation bar with tabs: STATUS, BASIC, **ADVANCED**, PARENTAL CONTROL, WIRELESS, USB, and SYSTEM. On the left side, there is a sidebar menu with the following items: OPTIONS, IP FILTERS, MAC FILTERS, PORT FILTERS, FORWARDING, PORT TRIGGERS, **DMZ HOST** (highlighted in blue), and FIREWALL. The main content area is titled 'ADVANCED' and contains a section for 'DMZ Host'. Below the title, it says 'This page allows you to configure DMZ Host.' There is a sub-section 'DMZ Address' with a label 'IP Address' and an empty text input field. A blue 'Save' button is located at the bottom right of the configuration area.

Fig.2-21 Advanced\DMZ Host



8. Firewall

These pages allow you to enable, disable, and configure a variety of firewall features associated with web browsing, which uses the HTTP protocol and transports HTML web pages. On these pages, you designate the gateway packet types you want to have forwarded or blocked. You can activate settings by checking them and clicking “Save” button.

The web-related filtering features you can activate from the Firewall page include Filter Cookies, Filter Java Applets, Filter ActiveX, Filter Popup Windows, Block Fragmented IP Packets, Port Scan Detection, IP Flood Detection, and Firewall Protection.

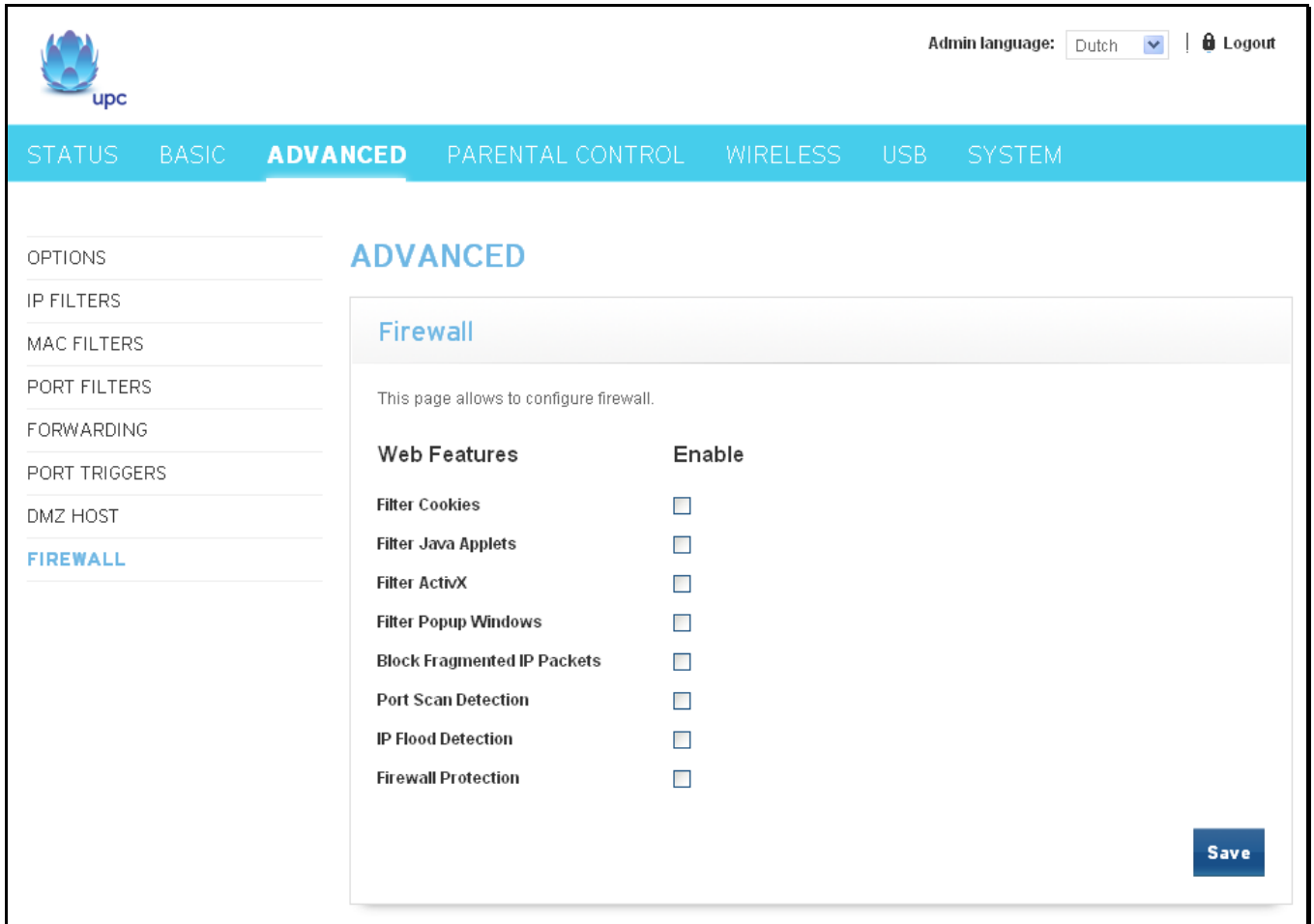
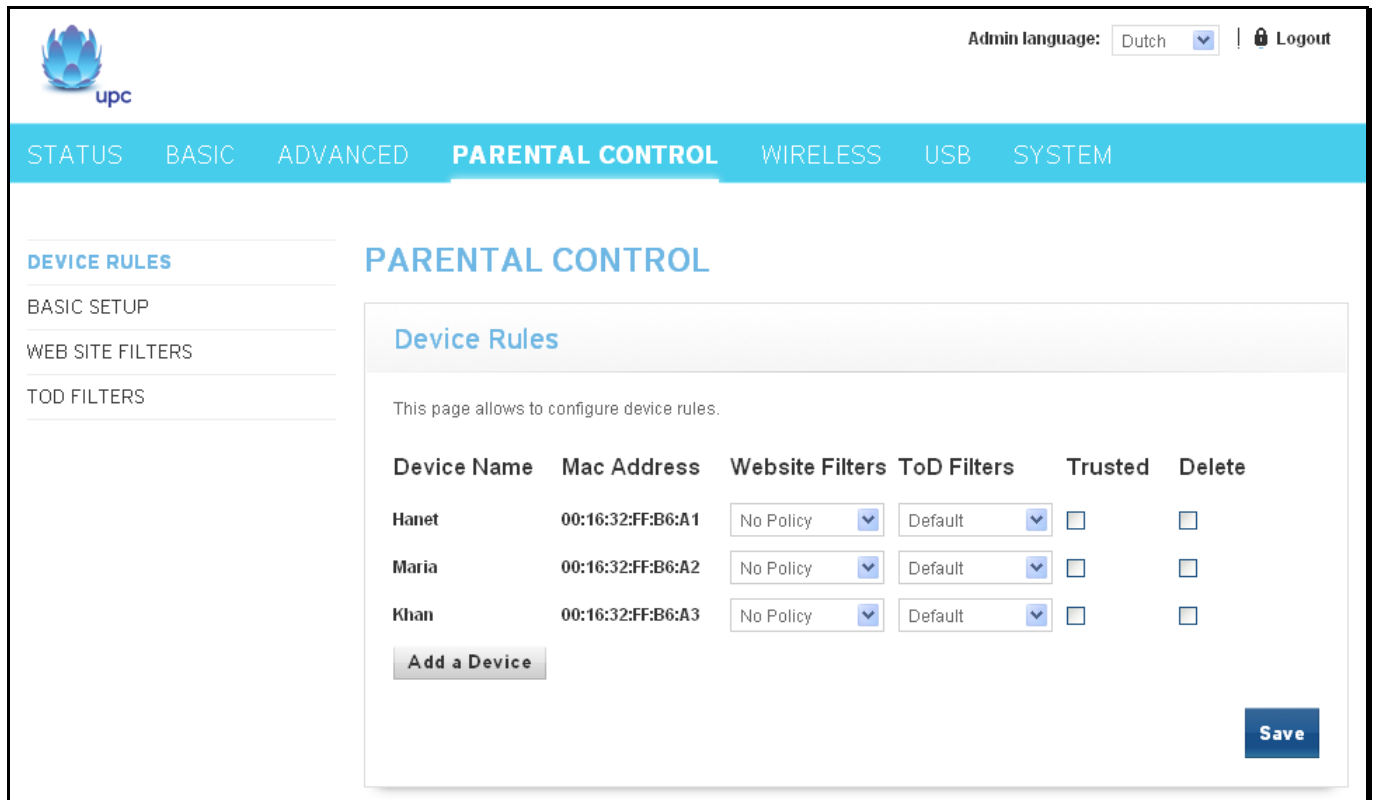


Fig. 2-22 Advanced\Firewall

Parental Control – Parental Control Web Page Group

1. Device Rules

This page allows you to add and delete Web Site and ToD filter for specified Device. You can save the settings by clicking “Save” button.



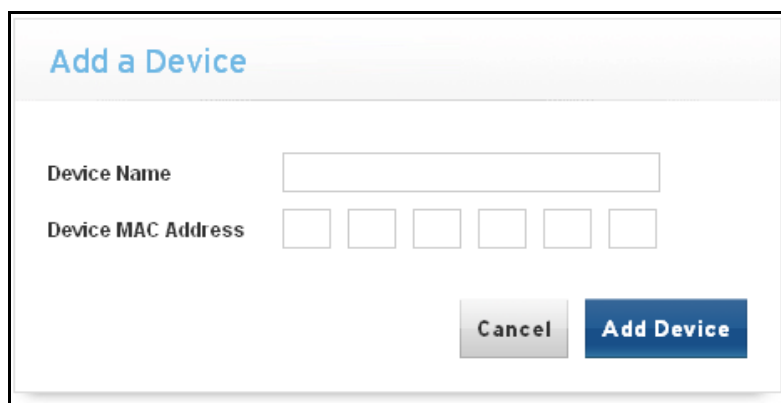
The screenshot shows the 'PARENTAL CONTROL' section of the router's web interface. On the left, there is a sidebar with 'DEVICE RULES' selected, and sub-options for 'BASIC SETUP', 'WEB SITE FILTERS', and 'TOD FILTERS'. The main content area is titled 'PARENTAL CONTROL' and 'Device Rules'. It contains a table with the following data:

Device Name	Mac Address	Website Filters	ToD Filters	Trusted	Delete
Hanet	00:16:32:FF:B6:A1	No Policy	Default	<input type="checkbox"/>	<input type="checkbox"/>
Maria	00:16:32:FF:B6:A2	No Policy	Default	<input type="checkbox"/>	<input type="checkbox"/>
Khan	00:16:32:FF:B6:A3	No Policy	Default	<input type="checkbox"/>	<input type="checkbox"/>

Below the table is an 'Add a Device' button and a 'Save' button.

Fig.2-23 Parental Control\Device Rules

A new device can be added to the list by clicking “Add a Device” button. The “Add a Device” dialogue will be displayed. Please enter Device Name and MAC address for the device that you want adding to the list and then clicking “Add Device” button.



The 'Add a Device' dialog box has the following fields and buttons:

- Device Name:** A single text input field.
- Device MAC Address:** Six individual text input boxes for each digit of the MAC address.
- Buttons:** 'Cancel' and 'Add Device' buttons.

Fig.2-24 Parental Control\Add Device



- **Web Site Filters:** The filter can be defined in WEB Site Filters page. Select the filter from the drop down list and click “Save” button for saving it.
- **ToD Filters:** The filter can be defined in ToD Filters page. Select the filter from the drop down list and click “Save” button for saving it.
- **Trusted:** Check the Trusted checkbox and click “Save” button for making the device be trusted.
- **Delete:** Check the delete checkbox and click “Save” button for deleting the device.



2. Basic Setup

This page allows you to enable Parental Control and bypass all blocks in Parental Control.

Fig. 2-25 Parental Control\Basic Setup

- **Enable Parental Control:** By clicking drop list of Enable Parental Control, select Enabled, enter password and then clicking “Save” button for enabling Parental Control.
- **Password:** Enter a password for configuring Parental Control. The same password MUST be enter in field Retype Password.
- **Retype Password:** Enter same password as the one in Password field.
- **Access Duration:** It is the available time of the Override Password.
- **Override Password:** It is used to bypass all blocks in Parental Control.
- **Mac Address :** Enter the MAC address of computers that you trusted and then clicking the “Add to trusted computers” for adding it.
- **Remove selected :** Select computer that you want to remove from the Trusted Computers list and then clicking the “Remove selected” button for removing it.



3. WEB Site Filters

This page allows you to configure the web sites that can be reached, should be blocked, or should be blocked if specific keywords were found. You can add the configuration to a new policy or remove a policy from the list.

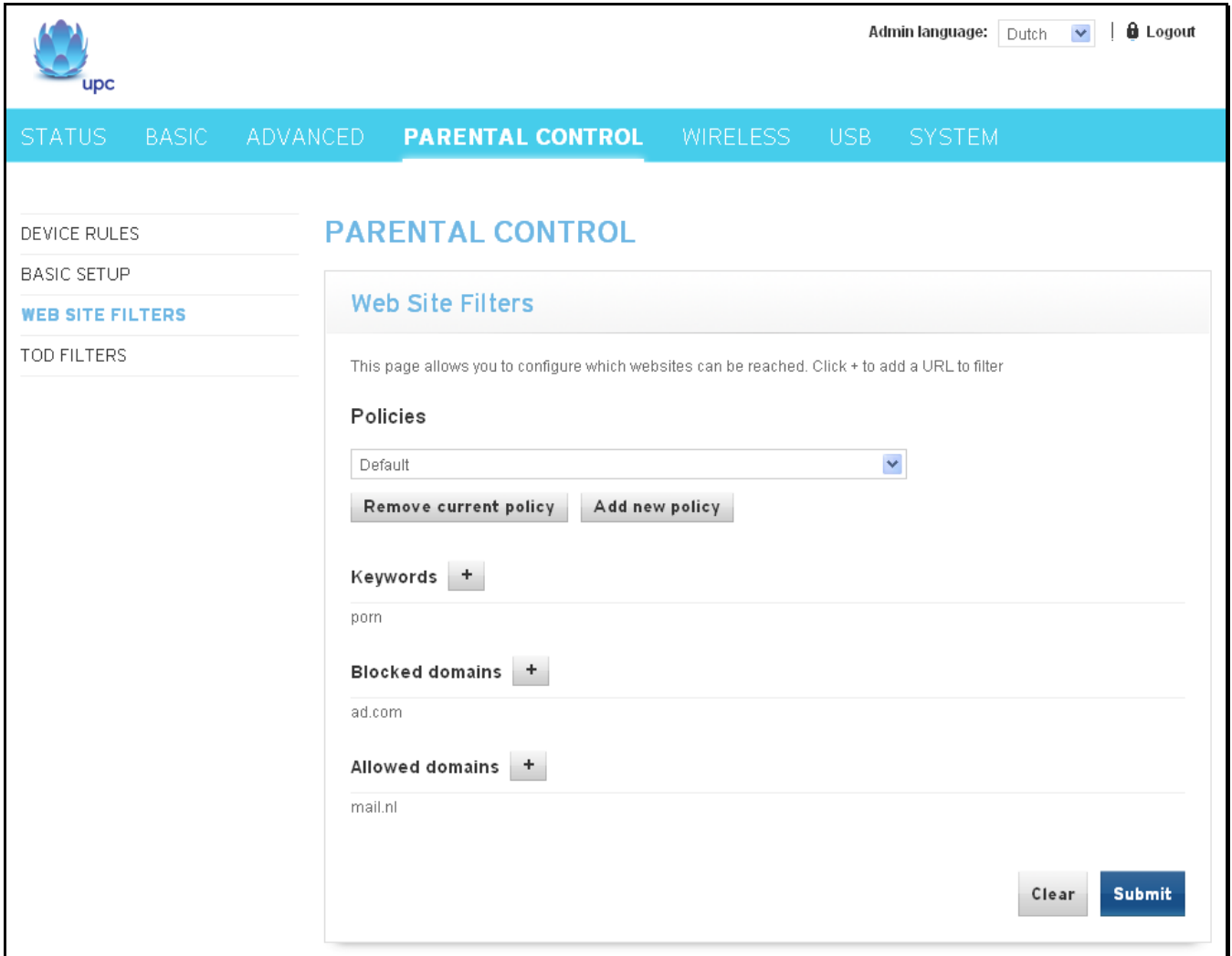


Fig. 2-26 Parental Control\WEB Site Filters

- **Policies:** A list of available WEB site filter policy. Select a policy from the drop list and then click “Submit” button for making it the current policy. Select a policy from the drop list and then click “Remove current policy” for removing it. A new policy can be added by clicking “Add new policy” button. Entering policy name to “Add a Policy” dialogue page and clicking “Create” button for adding it to the list



Add a Policy

Policy Name

Fig. 2-27 Parental Control\Add a Policy

- **Keywords:** WEB pages contain the keywords list in the filed will be blocked.
- **Blocked domains:** Domains list in this filed will be blocked.
- **Allowed domains:** Domains list in this filed will be allowed for accessing.



4. TOD Filters

Use this page to set rules that will block LAN side PCs from accessing the Internet, but only at specific days and times. By clicking time block for selecting/deselecting a specific hour. Finally, click the “Submit” button to save your settings.

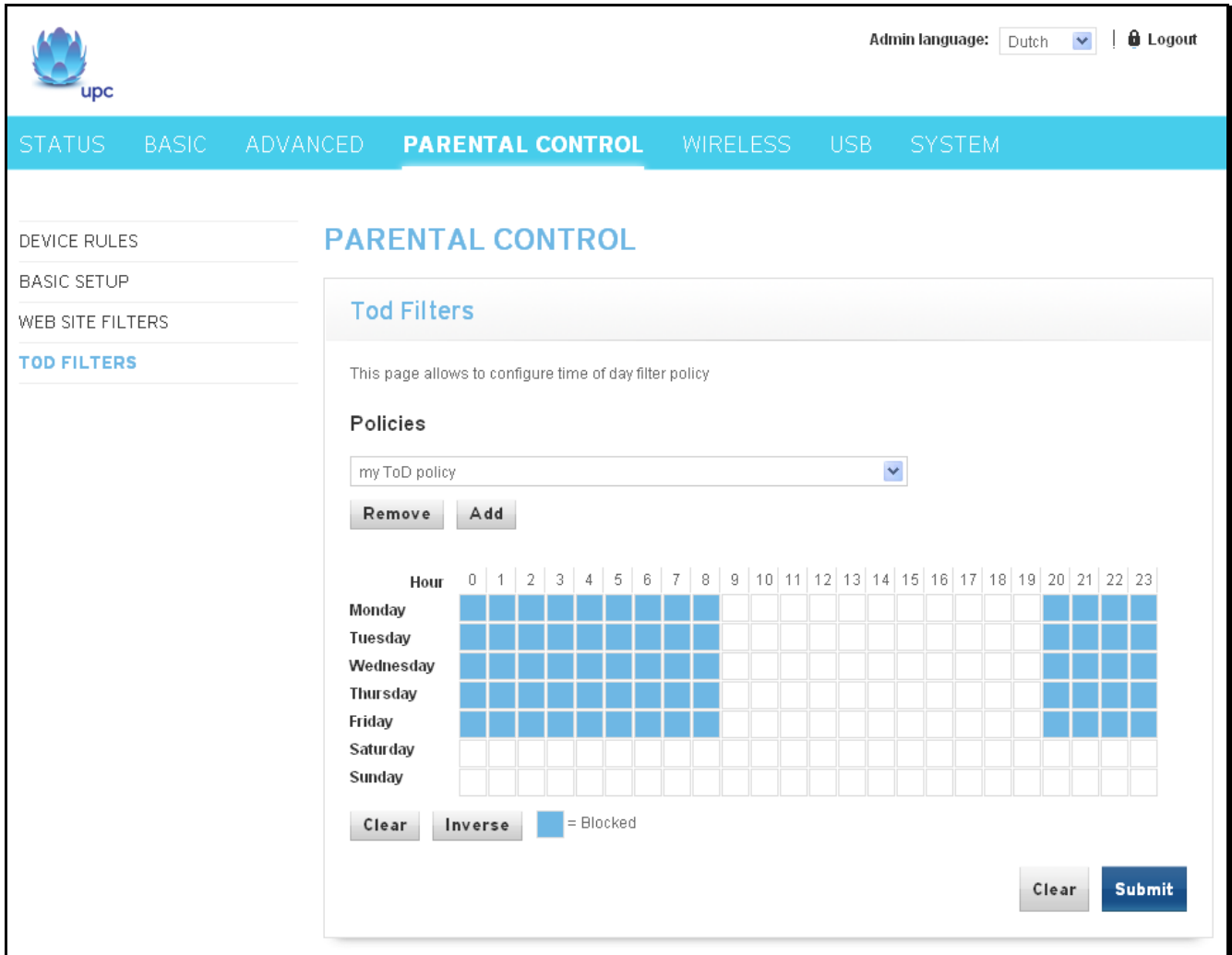


Fig.2-28 Parental Control\TOD Filters

- **Policies:** A list of available TOD filter policy. Select a policy from the drop list and then click “Submit” button for making it the current policy. Select a policy from the drop list and then click “Remove” for removing it. A new policy can be added by clicking “Add” button. Entering policy name to “Add a Policy” dialogue page and clicking “Create” button for adding it to the list



Add a Policy

Policy Name

Fig. 2-29 Parental Control\Add a Policy

- To click on each hour block and making it in blue color will cause the modem to block Internet traffic at that hour. To click on the blue block again to make it accessible.
- **Clear:** Click “Clear” button for clearing all of block hour.
- **Inverse:** Click “Inverse” button for reverse the status of all the hour blocks.



Wireless – Wireless Web Page Group

The Wireless web pages group enables a variety of settings that can provide secure and reliable wireless communications for even the most demanding tech-savvy user.

The Wireless Voice Gateway offers a choice of 802.11b/g/n, WPA and WPA-PSK authentication of your PCs to the gateway, 64 and 128 bit WEP encryption of communication between the gateway and your PCs to guaranty security, and an Access Control List function that enables you to restrict wireless access to only your specific PCs.

Performance

Because your wireless communication travels through the air, the factory default wireless channel setting may not provide optimum performance in your home if you or your neighbors have other interfering 2.4GHz or 5 GHz devices such as cordless phones. If your wireless PC is experiencing very sluggish or dramatically slower communication compared with the speed you achieve on your PC that is wired to the gateway, try changing the channel number. See the 802.11b/g/n Basic Web Page discussion below for details.

Authentication

Authentication enables you to restrict your gateway from communicating with any remote wireless PCs that aren't yours. The following minimum authentication-related changes to factory defaults are recommended. See the 802.11b/g/n Basic and Access Control Web Page discussions below for details.

Network Name (SSID) – Set a unique name you choose

Network Type – Set to Open

Access Control List – Enter your wireless PCs' MAC addresses

Security

Security secures or scrambles messages traveling through the air between your wireless PCs and the gateway, so they can't be observed by others. The following minimum security setting changes to factory defaults are recommended. See the 802.11b/g/n Security Web Page discussion below for details.



1. 2.4 GHz\Radio

This page allows you to configure the access control of 2.4GHz AP.

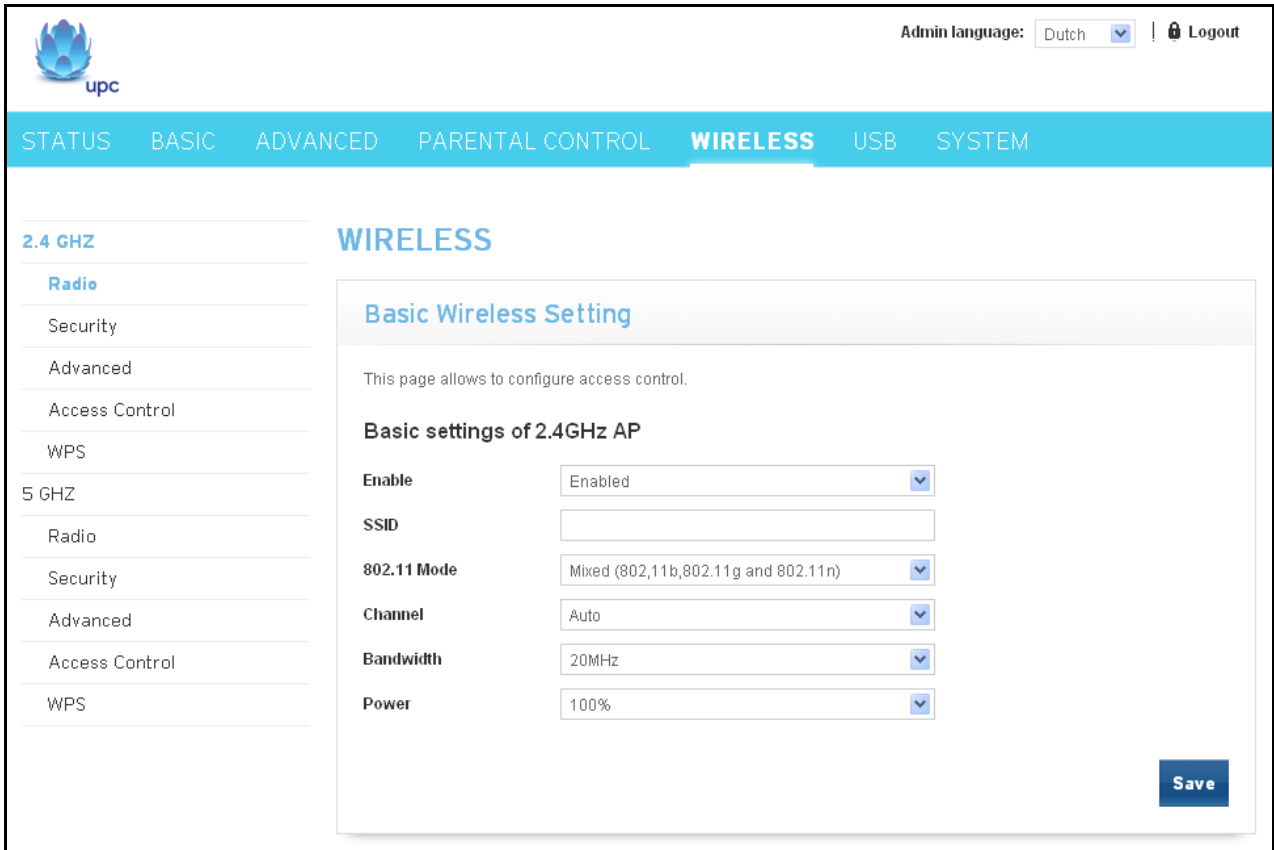


Fig.2-30 Wireless\2.4GHz\Radio

- **Enable:** It may help you to **Enable** or **Disable** the 2.4 GHz wireless function. To enable you need to select **Enabled**, to disable you need to select **Disabled**.
- **SSID:** The SSID for 2.4 GHz wireless function.
- **802.11 Mode:** There are three different modes can be selected. Mixed, Disabled and Greenfield.
- **Channel:** In 802.11 Band 2.4GHz, there are 1 to 13 channels. In 802.11 Band 5GHz, there are 36, 40, 44, 48 total 4 channels for all country. Choose the one that is suitable for this device.
- **Bandwidth:** Select wireless channel width **20 MHz** is for default value (bandwidth taken by wireless signals of this access point.) It can be 20 MHz or 40 MHz.
- **Power:** This setting decides the output power of this 2.4 GHz device. You may use it to economize on electricity by selecting lower percentage of power output. Control the range of the AP by adjusting the radio output power. The power can be 100%, 75%, 50% or 25%.



2. 2.4 GHz\Security

This page allows you to configure security of wireless.

The screenshot shows the router's web interface. At the top left is the 'upc' logo. At the top right, it says 'Admin language: Dutch' with a dropdown arrow and a 'Logout' button. Below this is a horizontal navigation bar with tabs: STATUS, BASIC, ADVANCED, PARENTAL CONTROL, **WIRELESS**, USB, and SYSTEM. On the left side, there is a vertical sidebar with categories: 2.4 GHZ (Radio, Security, Advanced, Access Control, WPS) and 5 GHZ (Radio, Security, Advanced, Access Control, WPS). The 'Security' option under 2.4 GHZ is selected. The main content area is titled 'WIRELESS' and 'Wireless Security'. It contains the text: 'This page allows to configure security of wireless.' Below this are four fields: 'Wireless security mode' (dropdown menu showing 'WPA Personal'), 'Authentication' (dropdown menu showing 'WPA/WPA2'), 'Passphrase' (text input field), and 'Retype Passphrase' (text input field). A blue 'Save' button is positioned at the bottom right of the configuration area.

Fig. 2-31 Wireless\2.4GHz\Security

- **Wireless security mode:** The wireless security mode can be either WPA Personal or WPA.
- **Authentication:** The method of authentication can be WPA/WPA2 or WPA.
- **Passphrase:** You can enter ASCII codes into this field. The range is from 8 characters to 64 characters. For **ASCII characters**, you can key in **63** characters in this field. If you want to key in **64** characters, only **hexadecimal characters** can be used.
- **Retype Passphrase:** Enter the passphrase again for confirmation.



3. 2.4 GHz\Advanced

This page allows configuring advance wireless settings.

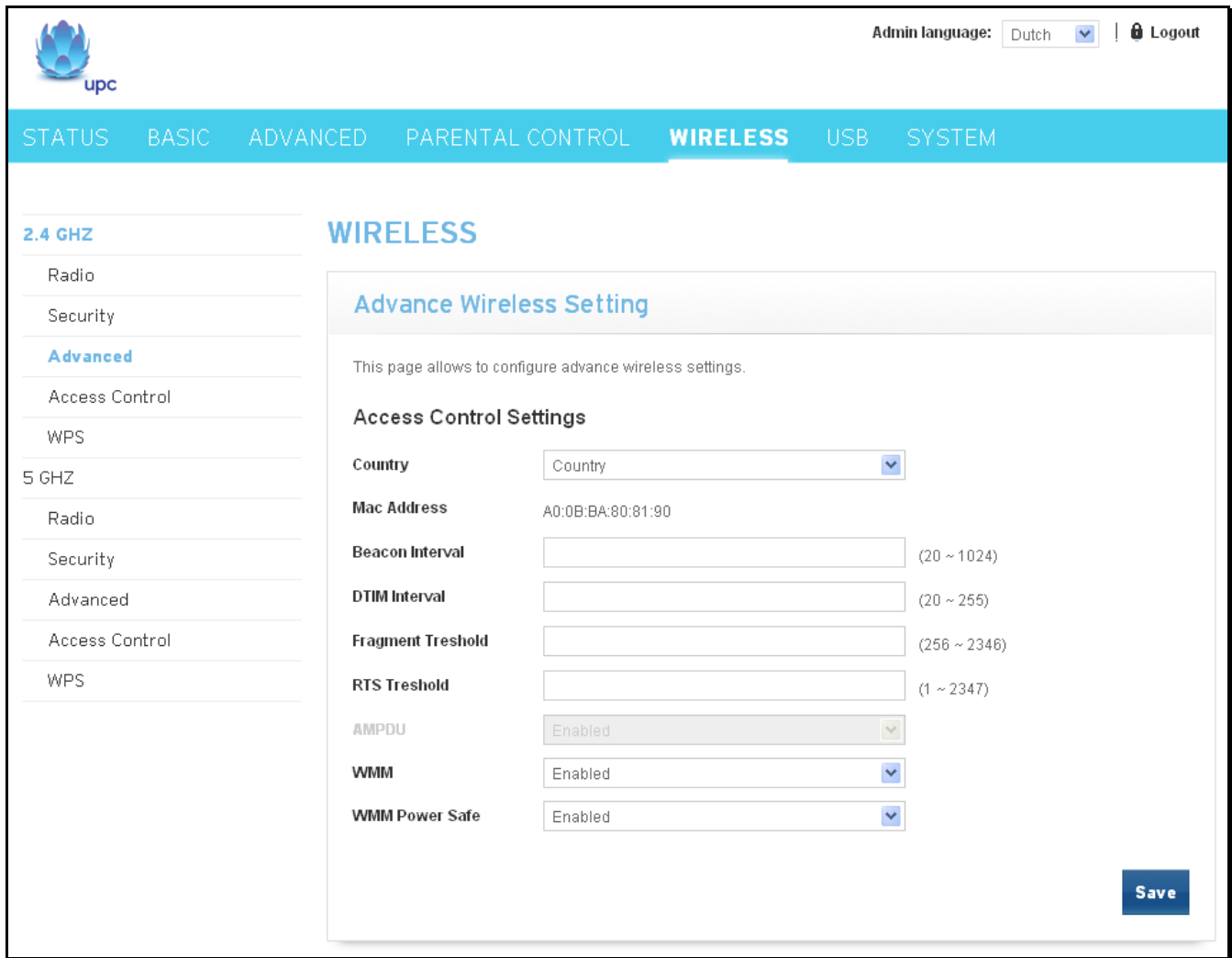


Fig. 2-32 Wireless\2.4GHz\Advanced

- **Country:** Please select the country code.
- **Mac Address:** The MAC address for this wireless device will be displayed in this field automatically.
- **Beacon Interval:** Set the period of beacon transmissions to allow mobile stations to locate and identify a BSS. The measure unit is “time units” (TU) of 1024 microseconds. (Value range: 1~65535)
- **DTIM Interval:** The value you set here is used to inform mobile stations when multicast frames that have been buffered at the Wireless Voice Gateway will be delivered and how often that delivery occurs. (Value range: 1~255)
- **Fragment Threshold:** Set the number of the fragmenting frames to make the data to be delivered without errors induced by the interference. Frames longer than the value you set here are fragmented before the initial transmission into fragments no longer than the value of the threshold. (Value range: 256~ 2346)



- **RTS Threshold:** Set the value for sending a request to the destination. All the frames of a length greater than the threshold that you set here will be sent with the four-way frame exchange. And, a length less than or equal to the value that you set will not be proceeded by RTS. (Value range: 0~2347)
- **WMM:** Wi-Fi Multimedia (WMM) is a component of the IEEE 802.11e wireless LAN standard for quality of service (QoS). The QoS assigns priority to the selected network traffic and prevents packet collisions and delays thus improving VoIP calls and watching video over WLANs. It may help you to **Enable** or **Disable** the WMM function. To enable you need to select **Enabled**, to disable you need to select **Disabled**.
- **WMM Power Save:** This field allows you to enable WMM Power Save-Support. To enable you need to select **Enabled**, to disable you need to select **Disabled**.

4. 2.4 GHz\Access Control

This page allows configuring access control.

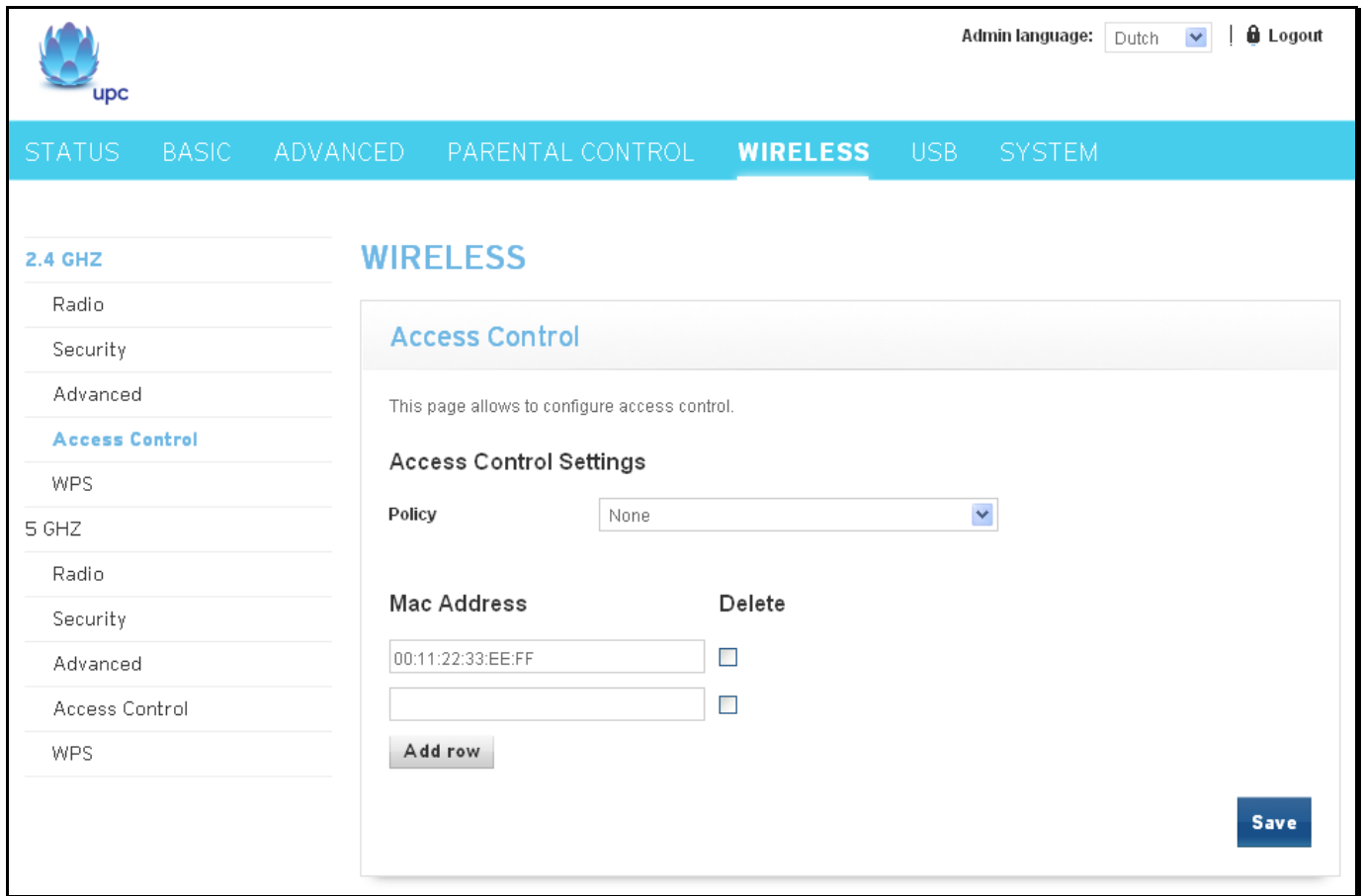


Fig.2-33 Wireless\2.4GHz\Access Control

- **Policies:** Policy of access control settings. Two options can be selected. It can be either Allow List or Deny List.
- **Mac Address:** The MAC address list that allow of deny access.
- **Add row:** Click "Add row" for adding a new row of Mac Address.
- **Delete:** Check "Delete" of a raw and click"Save" button for deleting it.



5. 2.4 GHz\WPS

This page allows you to configure WPS setting. Wi-Fi Protected Setup™ (WPS) is an easy and secure way of configuring and connecting your Wireless access point. In this case, the Wireless Voice Gateway is the Access Point (AP), and Your PC (or Wireless Device) is called the STA. When configuring your Wireless Network via WPS, Messages are exchanged between the STA and AP in order to configure the Security Settings on both devices.

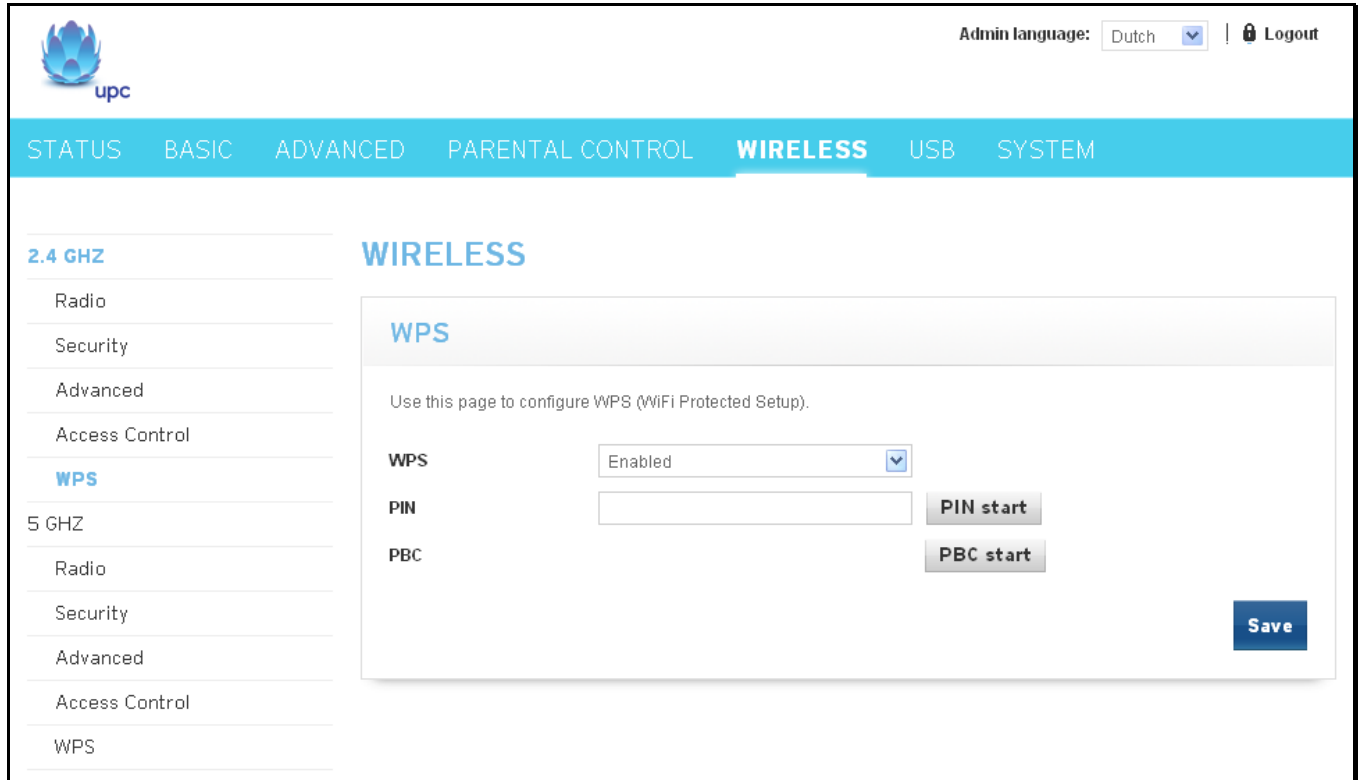


Fig. 2-34 Wireless\2.4GHz\WPS

- **WPS:** It will help you to **Enable** or **Disable** the WPS feature. To enable you need to select **WPS**, to disable you need to select **Disabled**.
- **PIN:** This is the PIN for authentication. Enter the PIN and the click “PIN start” for start PIN connection.
- **PBC:** Click “PBC start” for starting it.



6. 5 GHz\Radio

This page allows you to configure the access control of 5 GHz AP.

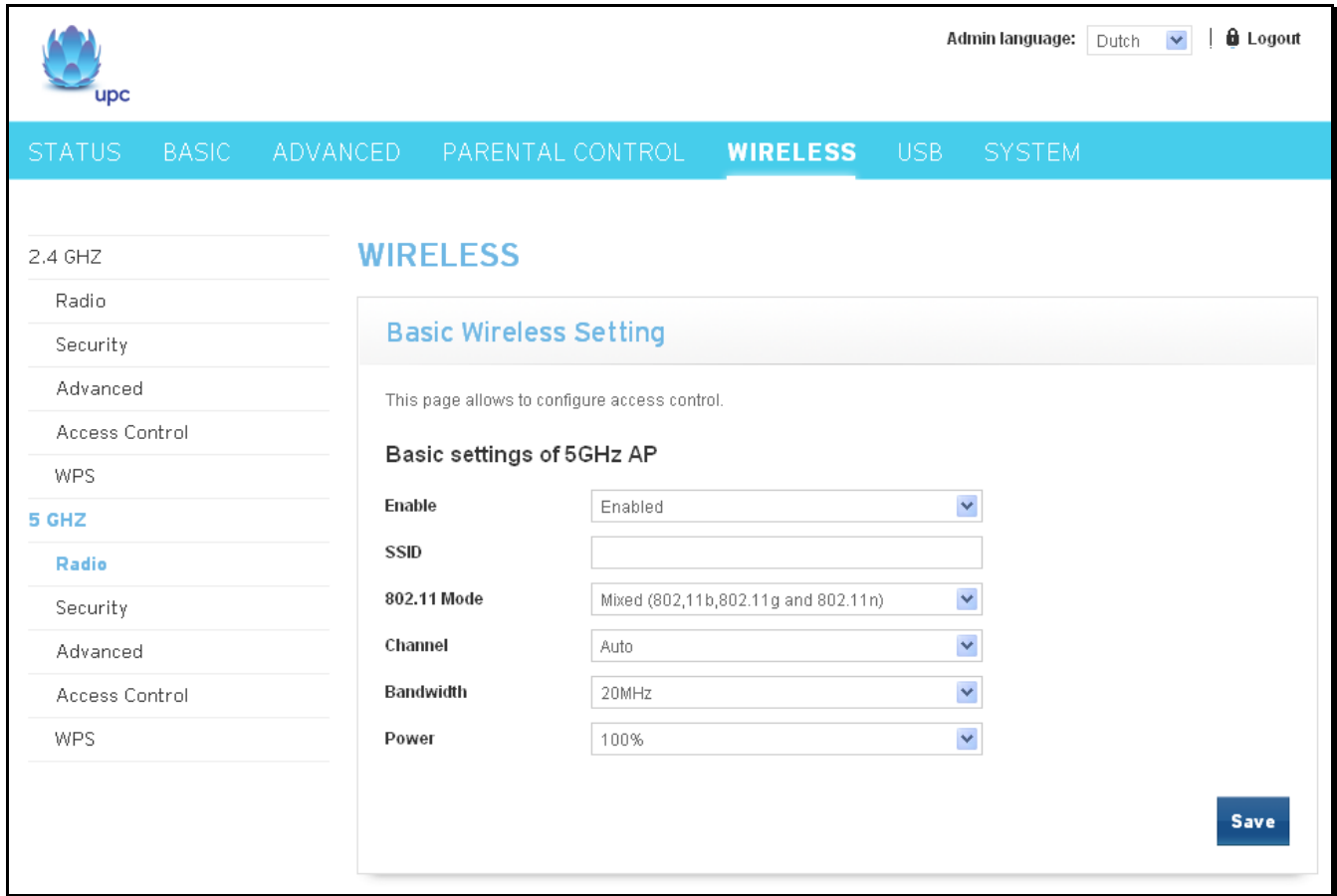


Fig.2-35 Wireless\5 GHz\Radio

- **Enable:** It may help you to **Enable** or **Disable** the 5 GHz wireless function. To enable you need to select **Enabled**, to disable you need to select **Disabled**.
- **SSID:** The SSID for 5 GHz wireless function.
- **802.11 Mode:** There are three different modes can be selected. Mixed, Disabled and Greenfield.
- **Channel:** In 802.11 Band 5GHz, there are 36, 40, 44, 48 total 4 channels for all country. Choose the one that is suitable for this device.
- **Bandwidth:** Select wireless channel width **20 MHz** is for default value (bandwidth taken by wireless signals of this access point.) It can be 20 MHz or 40 MHz.
- **Power:** This setting decides the output power of this 5 GHz device. You may use it to economize on electricity by selecting lower percentage of power output. Control the range of the AP by adjusting the radio output power. The power can be 100%, 75%, 50% or 25%.



7. 5 GHz\Security

This page allows you to configure security of wireless.

The screenshot shows the UPnP web interface for configuring wireless security. The top navigation bar includes STATUS, BASIC, ADVANCED, PARENTAL CONTROL, WIRELESS (selected), USB, and SYSTEM. The left sidebar shows a tree view for 5 GHz, with Security selected. The main content area is titled 'Wireless Security' and contains the following form fields:

- Wireless security mode:** A dropdown menu set to 'WPA Personal'.
- Authentication:** A dropdown menu set to 'WPA/WPA2'.
- Passphrase:** An empty text input field.
- Retype Passphrase:** An empty text input field.

A 'Save' button is located at the bottom right of the form area.

Fig. 2-36 Wireless\5 GHz\Security

- **Wireless security mode:** The wireless security mode can be either WPA Personal or WPA.
- **Authentication:** The method of authentication can be WPA/WPA2 or WPA.
- **Passphrase:** You can enter ASCII codes into this field. The range is from 8 characters to 64 characters. For **ASCII characters**, you can key in **63** characters in this field. If you want to key in **64** characters, only **hexadecimal characters** can be used.
- **Retype Passphrase:** Enter the passphrase again for confirmation.



8. 5 GHz\Advanced

This page allows configuring advance wireless settings.

The screenshot shows the UPnP web interface for configuring wireless settings. The top navigation bar includes STATUS, BASIC, ADVANCED, PARENTAL CONTROL, WIRELESS (selected), USB, and SYSTEM. The left sidebar lists settings for 2.4 GHz and 5 GHz, with 'Advanced' selected under 5 GHz. The main content area is titled 'WIRELESS' and 'Advance Wireless Setting'. It contains a description: 'This page allows to configure advance wireless settings.' Below this is the 'Access Control Settings' section with the following fields:

- Country:** A dropdown menu currently showing 'Country'.
- Mac Address:** A text field displaying 'A0:0B:BA:80:81:90'.
- Beacon Interval:** A text field with a range of '(20 ~ 1024)'.
- DTIM Interval:** A text field with a range of '(20 ~ 255)'.
- Fragment Threshold:** A text field with a range of '(256 ~ 2346)'.
- RTS Threshold:** A text field with a range of '(1 ~ 2347)'.
- AMPDU:** A dropdown menu set to 'Enabled'.
- WMM:** A dropdown menu set to 'Enabled'.
- WMM Power Safe:** A dropdown menu set to 'Enabled'.

A blue 'Save' button is located at the bottom right of the settings area.

Fig. 2-37 Wireless\5 GHz\Advanced

- **Country:** Please select the country code.
- **Mac Address:** The MAC address for this wireless device will be displayed in this field automatically.
- **Beacon Interval:** Set the period of beacon transmissions to allow mobile stations to locate and identify a BSS. The measure unit is “time units” (TU) of 1024 microseconds. (Value range: 1~65535)
- **DTIM Interval:** The value you set here is used to inform mobile stations when multicast frames that have been buffered at the Wireless Voice Gateway will be delivered and how often that delivery occurs. (Value range: 1~255)
- **Fragment Threshold:** Set the number of the fragmenting frames to make the data to be delivered without errors induced by the interference. Frames longer than the value you set here are fragmented before the initial transmission into fragments no longer than the value of the threshold. (Value range: 256~ 2346)



- **RTS Threshold:** Set the value for sending a request to the destination. All the frames of a length greater than the threshold that you set here will be sent with the four-way frame exchange. And, a length less than or equal to the value that you set will not be proceeded by RTS. (Value range: 0~2347)
- **WMM:** Wi-Fi Multimedia (WMM) is a component of the IEEE 802.11e wireless LAN standard for quality of service (QoS). The QoS assigns priority to the selected network traffic and prevents packet collisions and delays thus improving VoIP calls and watching video over WLANs. It may help you to **Enable** or **Disable** the WMM function. To enable you need to select **Enabled**, to disable you need to select **Disabled**.
- **WMM Power Save:** This field allows you to enable WMM Power Save-Support. To enable you need to select **Enabled**, to disable you need to select **Disabled**.



9. 5 GHz\Access Control

This page allows you to configure access control.

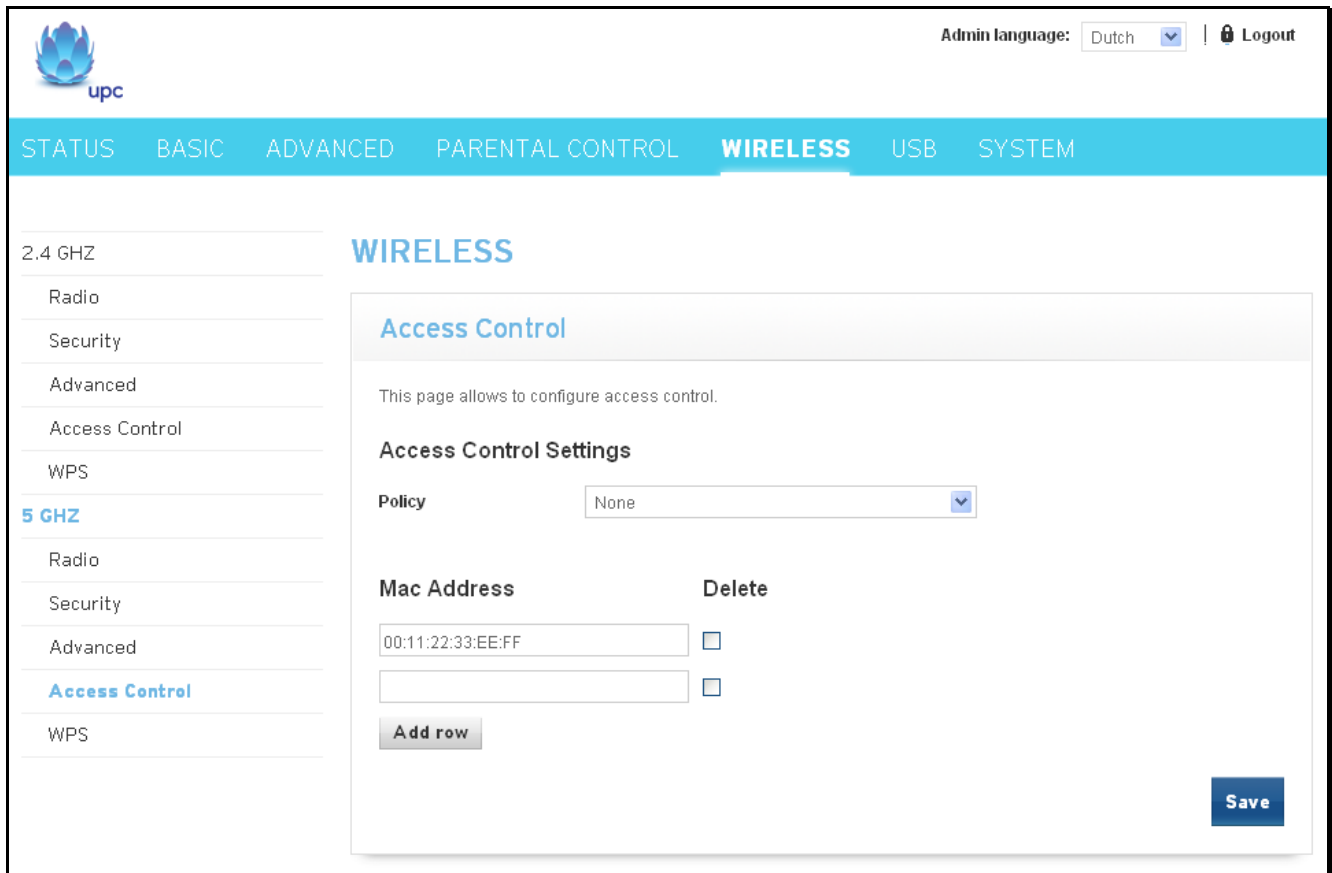


Fig.2-38 Wireless\5 GHz\Access Control

- **Policies:** Policy of access control settings. Two options can be selected. It can be either Allow List or Deny List.
- **Mac Address:** The MAC address list that allow of deny access.
- **Add row:** Click "Add row" for adding a new row of Mac Address.
- **Delete:** Check "Delete" of a raw and click"Save" button for deleting it.



10. 5 GHz WPS

This page allows you to configure WPS setting.

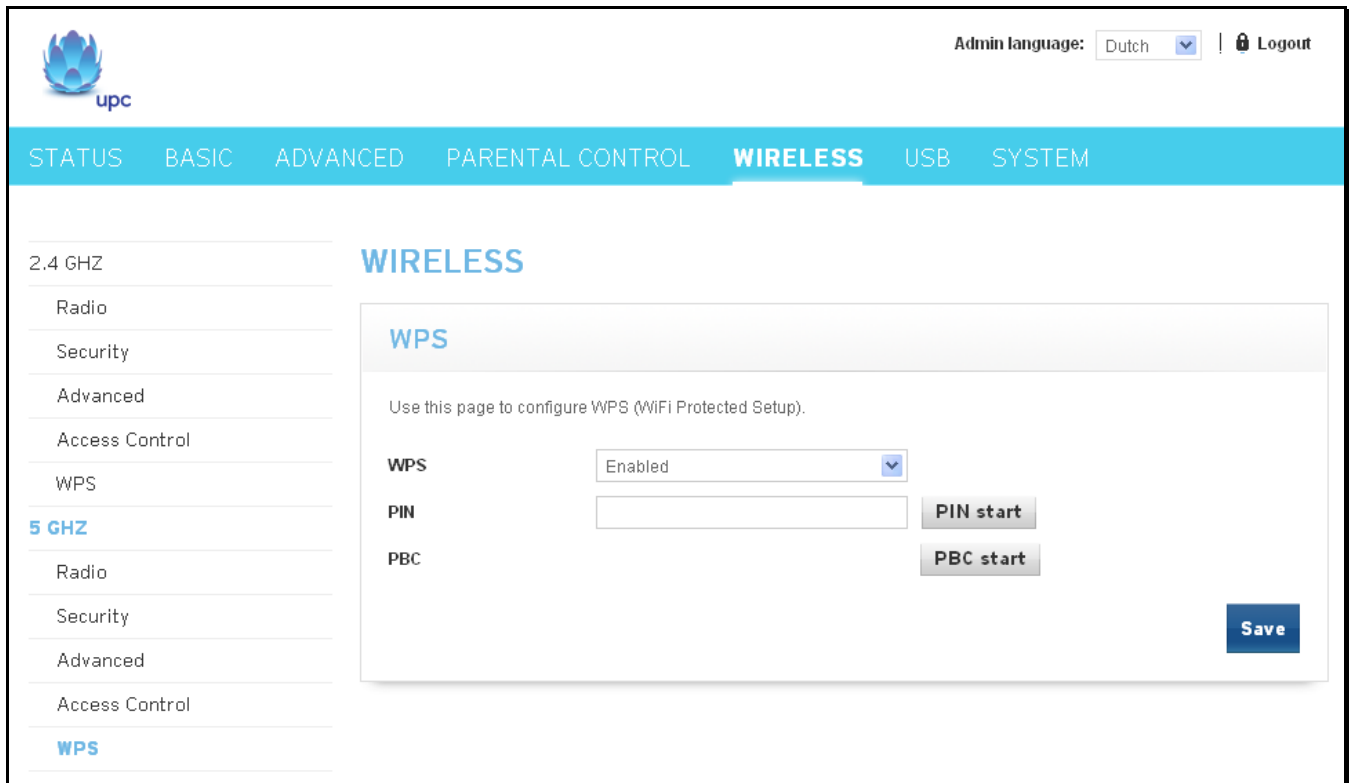


Fig. 2-39 Wireless\5 GHz\WPS

- **WPS:** It will help you to **Enable** or **Disable** the WPS feature. To enable you need to select **WPS**, to disable you need to select **Disabled**.
- **PIN:** This is the PIN for authentication. Enter the PIN and the click “PIN start” for start PIN connection.
- **PBC:** Click “PBC start” for starting it.



USB – USB Web Page Group

1. USB Basic

This page allows basic control of the USB devices shared over the network.

Enable USB Devices connected to the USB port: This field controls which USB device (Key or Hard Disk) can be connected to the Gateway. "All" will authorize all USB devices. "Approved" will authorize devices that have been previously approved on this gateway. "None" will block any USB Device on the Gateway. To approve devices (PC), click on the button "Approved Devices"

Enable USB Devices to be Shared Storage: Yes or No to decide if you share or not the content of the USB device. Click on "Storage Configuration" button to access the web pages to configure the Storage Device.

Enable the Media Server (DLNA): Yes or No to activate or the not the DLNA Server (DLNA: Digital Living Network Alliance). To configure the DLNA server, click on the button "Media Server Configuration".

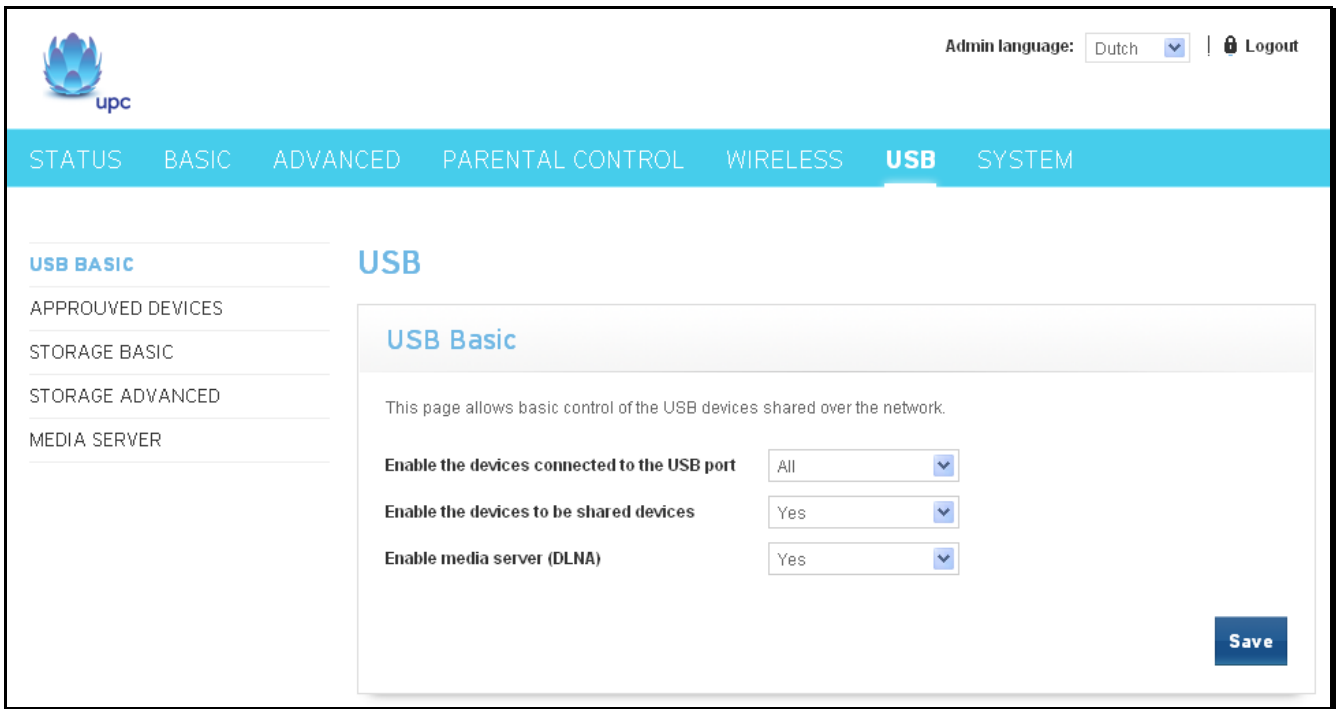



Fig.2-40 USB\USB Basic



2. Approved Devices

This page allows the configuration of the USB storage device(s) shared over the network.

Add Available USB Devices as Approved USB Devices then apply changes. If you want to remove USB devices, propose you press “Safely Remove Device” button first.


Admin language: Dutch | Logout

STATUS
BASIC
ADVANCED
PARENTAL CONTROL
WIRELESS
USB
SYSTEM

USB BASIC

APPROVED DEVICES

STORAGE BASIC

STORAGE ADVANCED

MEDIA SERVER

USB

Approved Devices

This page allows the configuration of the USB storage devices shared over the network.

USB storage devices

Enable the devices connected to the USB port

Approved USB devices

Select	Volume Name	Manufacturer	Product
<input type="checkbox"/>	Device Name	Manufacturer Name	Product Name
<input type="checkbox"/>	Device Name	Manufacturer Name	Product Name

Remove from approved devices

Available USB devices

Select	Volume Name	Manufacturer	Product
<input type="checkbox"/>	Device Name	Manufacturer Name	Product Name
<input type="checkbox"/>	Device Name	Manufacturer Name	Product Name

Add to approved devices

Refresh List
Safely remove device

Save

Fig. 2-41 USB\Approved Devices



3. Storage Basic

This page shows the status of the USB folders shared over the network.

Basic option defines shared files in all approved devices and specified folders or only specified folders. You can edit Shared Network Folders and observe the detail of folders.

Admin language: Dutch | Logout

STATUS BASIC ADVANCED PARENTAL CONTROL WIRELESS **USB** SYSTEM

USB BASIC
APPROVED DEVICES
STORAGE BASIC
STORAGE ADVANCED
MEDIA SERVER

USB

Storage Basic

This page shows the status of the USB folders shared over the network.

Network/Device name

Default sharing Specified folders and all approved devices

Approved USB devices

Share Name	Folder	Device
Shared Name	/this/is/a/long/shared/folder/url	Device Name
Shared Name	/this/is/a/long/shared/folder/url	Device Name

Fig. 2-42 USB\Storage Basic



4. Storage Advanced

This page shows the status of the folders shared over the network.

Advanced option provides FTP option to share files as a FTP server.

The screenshot shows a web interface for configuring USB storage. At the top left is the 'upc' logo. At the top right, it says 'Admin language: Dutch' with a dropdown arrow and a 'Logout' button. Below this is a navigation bar with tabs: STATUS, BASIC, ADVANCED, PARENTAL CONTROL, WIRELESS, **USB**, and SYSTEM. On the left side, there is a sidebar menu with options: USB BASIC, APPROVED DEVICES, STORAGE BASIC, **STORAGE ADVANCED**, and MEDIA SERVER. The main content area is titled 'USB' and 'Storage Advanced'. It contains the following elements:

- A description: 'This page shows the status of the USB folders shared over the network.'
- Two input fields: 'Network Device name' and 'Workgroup name'.
- A section titled 'Protocols' with a table:

Enable	Access Method	Link	Protocol
<input type="checkbox"/>	FTP Via Internet	192.168.0.1	21
<input type="checkbox"/>	Windows Network Connection	\\JOHN-SHARE	

- A section titled 'Available Network Folders' with a table:

Share Name	Folder	Device	Actions
Shared Name	/this/is/a/long/shared/folder/url	Device Name	<input type="button" value="Edit"/> <input type="button" value="Delete"/>
Shared Name	/this/is/a/long/shared/folder/url	Device Name	<input type="button" value="Edit"/> <input type="button" value="Delete"/>

Below the table is a 'Create network folder' button. At the bottom right of the main content area is a large blue 'Save' button.

Fig.2-43 USB\Storage Advanced




5. MEDIA SERVER

This page controls configuration and scanning of the Gateway's media server.

Choose Scan all Files will scan your approved USB devices for sharing files. Scan Files by Type for specific file type or all of types for sharing. Choose file types form **Available File Types** to **Selected File Types**.




Admin language: Dutch | [Logout](#)

STATUS
BASIC
ADVANCED
PARENTAL CONTROL
WIRELESS
USB
SYSTEM

USB BASIC

APPROVED DEVICES

STORAGE BASIC

STORAGE ADVANCED

MEDIA SERVER

USB

Media Server

This page controls configuration and scanning of the cable modem's media server.

Basic Settings

Media Server Enabled

Media Server Name

Scan Settings

Scanning Method Scan all files

Available file types

Video	Audio	Image	Other
<input type="checkbox"/> 3g2	<input type="checkbox"/> 3gp	<input type="checkbox"/> bmp	<input type="checkbox"/> asx
<input type="checkbox"/> 3gp2	<input type="checkbox"/> aac	<input type="checkbox"/> gif	<input type="checkbox"/> BUP
<input type="checkbox"/> asf	<input type="checkbox"/> ac3	<input type="checkbox"/> ico	<input type="checkbox"/> dks
<input type="checkbox"/> avc	<input type="checkbox"/> aif	<input type="checkbox"/> jpe	<input type="checkbox"/> idx
<input type="checkbox"/> avi	<input type="checkbox"/> aiff	<input type="checkbox"/> jpeg	<input type="checkbox"/> ifo
<input type="checkbox"/> bin	<input type="checkbox"/> at3p	<input type="checkbox"/> jpg	<input type="checkbox"/> m3u
<input type="checkbox"/> divx	<input type="checkbox"/> au	<input type="checkbox"/> pcd	<input type="checkbox"/> mpl
<input type="checkbox"/> dv	<input type="checkbox"/> cda	<input type="checkbox"/> png	<input type="checkbox"/> pjs
<input type="checkbox"/> flv	<input type="checkbox"/> dts	<input type="checkbox"/> pnm	<input type="checkbox"/> pls
<input type="checkbox"/> hdmov	<input type="checkbox"/> flac	<input type="checkbox"/> ppm	<input type="checkbox"/> psb
<input type="checkbox"/> iso	<input type="checkbox"/> l16	<input type="checkbox"/> qtf	<input type="checkbox"/> scr
<input type="checkbox"/> m1v	<input type="checkbox"/> lpcm	<input type="checkbox"/> qti	<input type="checkbox"/> srt
<input type="checkbox"/> m2t	<input type="checkbox"/> m4a	<input type="checkbox"/> qtif	<input type="checkbox"/> ssa
<input type="checkbox"/> m2ts	<input type="checkbox"/> mid	<input type="checkbox"/> tif	<input type="checkbox"/> stl
<input type="checkbox"/> m2v	<input type="checkbox"/> mka	<input type="checkbox"/> tiff	<input type="checkbox"/> sub
<input type="checkbox"/> m4p	<input type="checkbox"/> mp1	<input type="button" value="Select All"/>	
<input type="checkbox"/> m4v	<input type="checkbox"/> mp2	<input type="button" value="Unselect All"/>	
<input type="checkbox"/> mjpeg	<input type="checkbox"/> mp3		
<input checked="" type="checkbox"/> mjpg	<input type="checkbox"/> mp4		
<input type="checkbox"/> mkv	<input type="checkbox"/> mpc		<input type="button" value="Select All"/>
<input type="checkbox"/> mov	<input type="checkbox"/> ogg		<input type="button" value="Unselect All"/>
<input type="checkbox"/> mp2p	<input type="checkbox"/> pcm		
<input type="checkbox"/> mp2t	<input type="checkbox"/> ra		
<input type="checkbox"/> mp2v	<input type="checkbox"/> ram		
<input type="checkbox"/> mp4ps	<input type="checkbox"/> rm		
<input type="checkbox"/> mpe	<input type="checkbox"/> rmi		
<input type="checkbox"/> mpeg	<input type="checkbox"/> snd		
<input type="checkbox"/> mpeg2	<input type="checkbox"/> wav		
<input type="checkbox"/> mpeg4	<input type="checkbox"/> wave		
<input type="checkbox"/> mpg	<input type="checkbox"/> wma		
<input type="checkbox"/> mpg2	<input type="button" value="Select All"/>		
<input type="checkbox"/> mpg4	<input type="button" value="Unselect All"/>		
<input type="checkbox"/> ogm			

Fig. 2-44 USB\Media Server



qt
 rmv
 rrvb
 rv
 ts
 vob
 wmv

Select All

Unselect All

Enable scheduled scanning every Minutes

Scan Now

Save

Fig. 2-44 USB\Media Server



System – System Web Page Group

1. Password

By default, the username is “**admin**” and the password is “**admin**”.

This is set by different actions (non exhaustive list):

- at the manufactory level,
- following a reset factory on the modem,
- following a reset from the operator,
- following a change by the user who wants to come back to the default setting after using its own settings

When the current password is the default one, the user is strongly encouraged to change the default web password.

At your first connection or while the password is the default one, a warning message is displayed on the top banner of each Web configuration page. We want to encourage you to change the password in order to enforce the security of your modem.

The password can be a maximum of 8 characters and is case sensitive. In addition, this page can be used to restore the gateway to its original factory settings. Use this with caution, as all the settings you have made will be lost. To perform this reset, set **Restore Factory Defaults** to **Yes** and click **Apply**. This has the same effect as a factory reset using the rear panel reset switch, where you hold on the switch for 5 seconds, then release it.

Note: We are always suggesting you to modify the password. This is a basic protection against wrongful access to the Gateway Web pages.

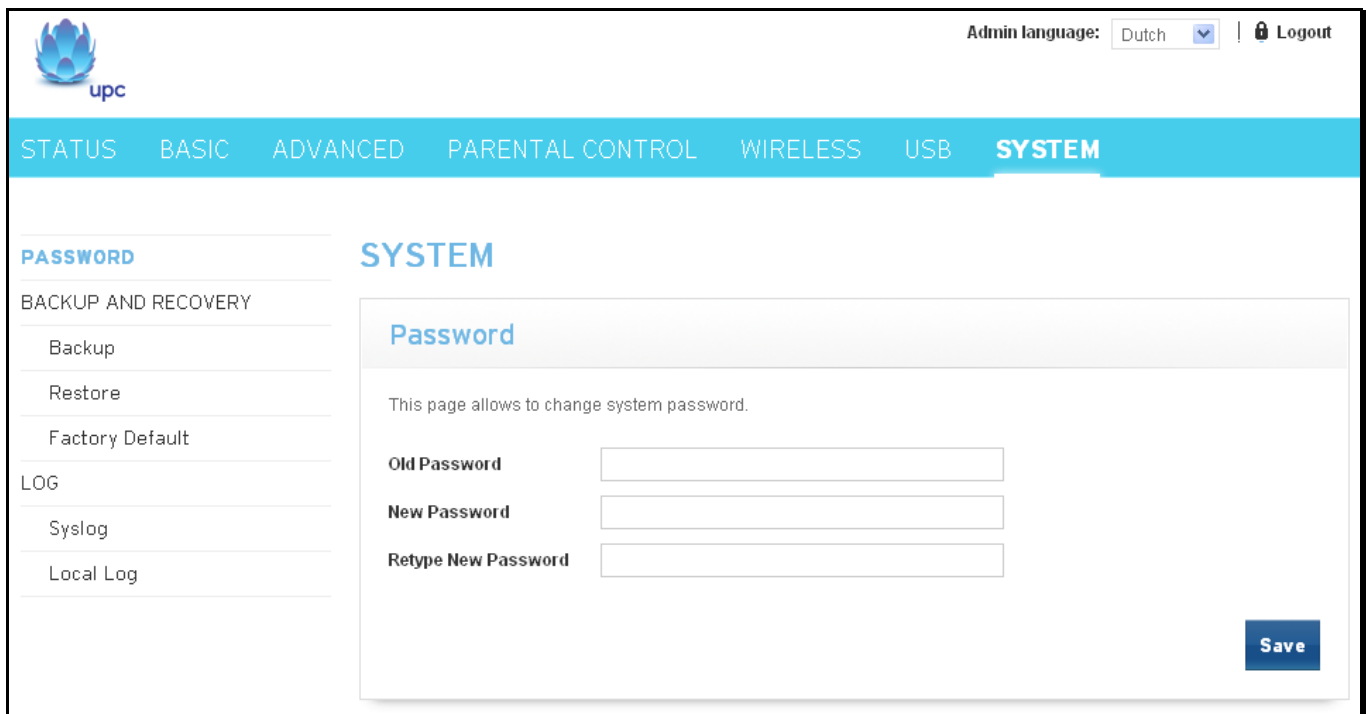


Fig.2-45 System\Password



2. Backup and Recovery\Backup

This page allows you to save your current settings locally on your PC. The default file name is “GatewaySettings.bin”.

Please enter the password if you want to encrypt your configuration’s backup. The same password MUST be entered to retype password field for the confirmation. Click the “Backup” button for saving the configuration’s backup.

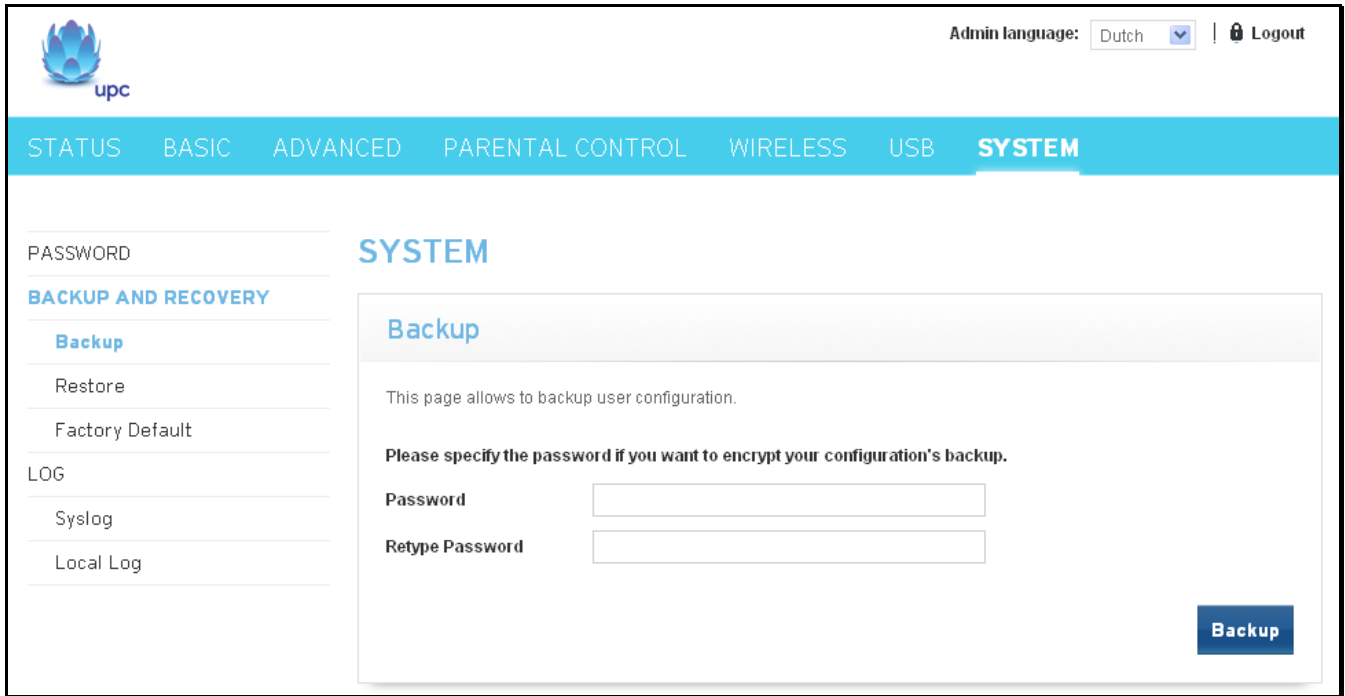


Fig. 2-46 System\Backup and Recovery\Backup



3. Backup and Recovery\Restore

This page allows you to restore settings previously saved locally on your PC. The default file name is “GatewaySettings.bin”.

Please enter the password if you want to restore encrypted configuration’s backup. Click “Browse” button and then select the configuration’s backup that you want to restore. Click the “Restore” button for restoring the configuration’s backup.

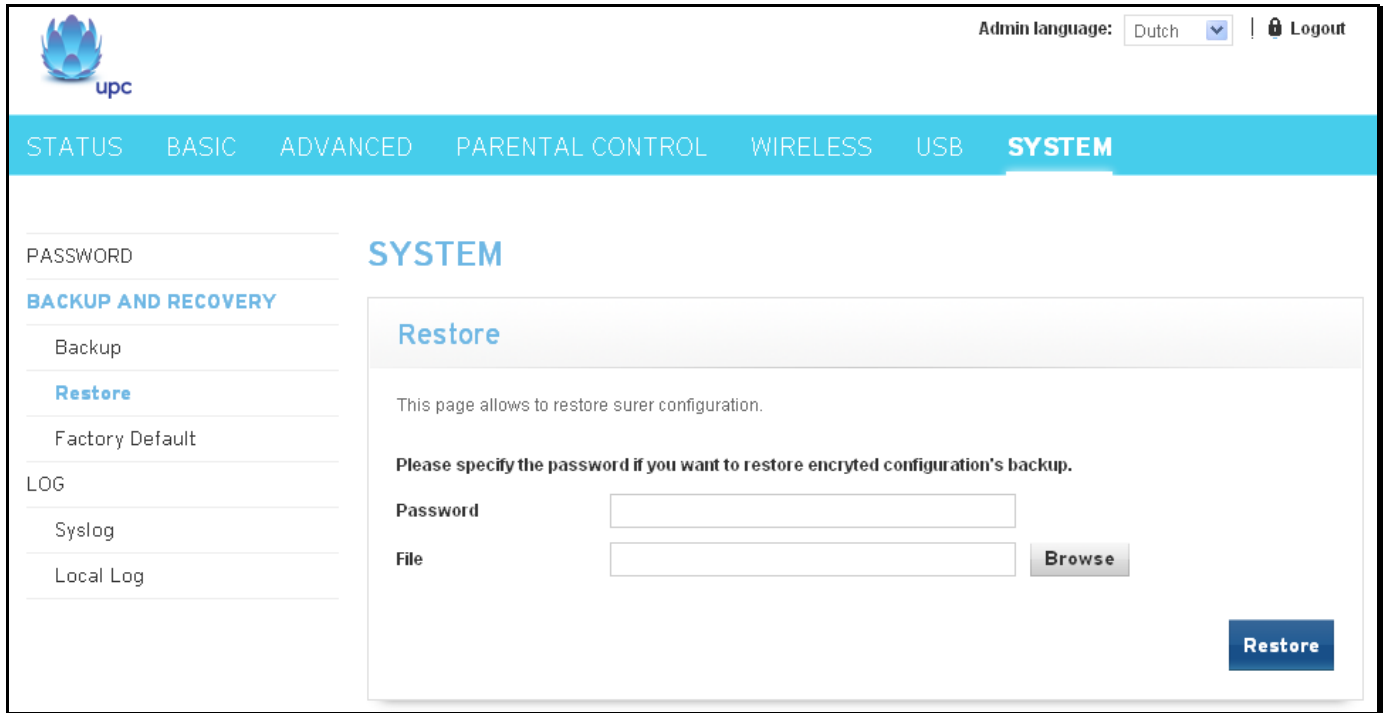


Fig. 2-47 System\Backup and Recovery\Restore



4. Backup and Recovery\Factory Default

This page allows you to restore factory default settings.

To click the “Restore Defaults” button will restore System to the factory (default) settings.

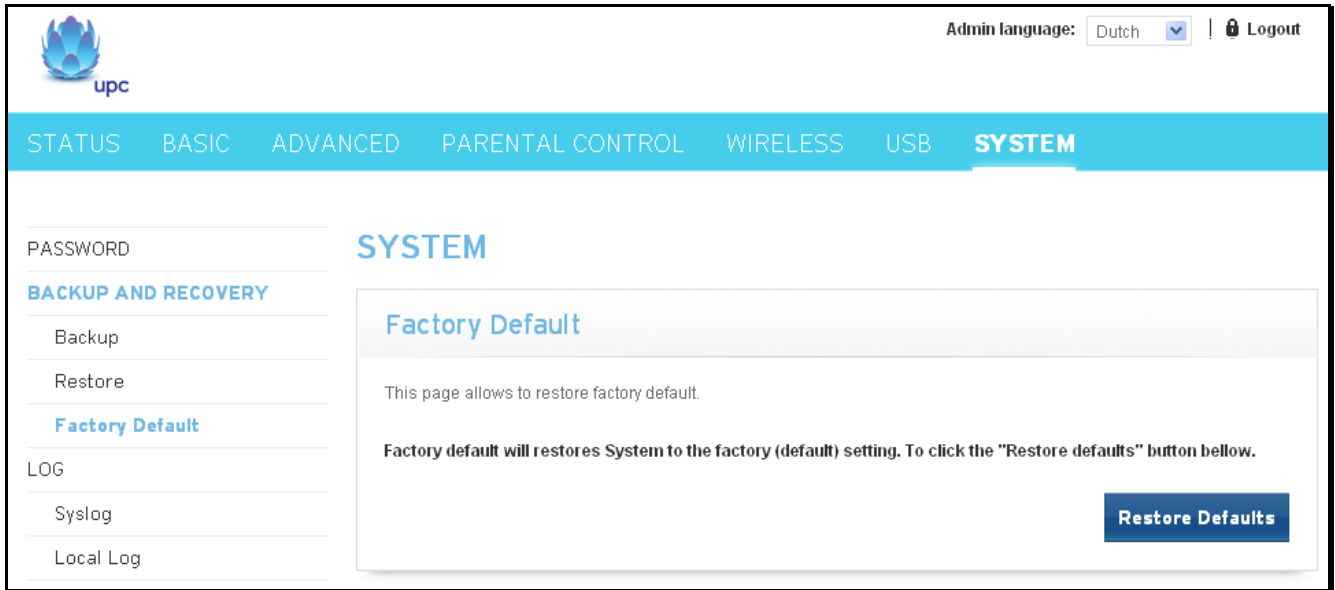


Fig.2-48 System\Backup and Recovery\Factory Default



5. Log\Syslog

The Syslog page allows you to specify the IP address where a Syslog server is located on the LAN side and select different types of firewall events that may occur. Then, each time such an event occurs, notification is automatically sent to this log server. In order to use the Syslog server, you must select Enabled from the drop list of Remote logging, specify the IP address of server, tick the levels and then click the “Save” button.

The screenshot shows the 'SYSTEM' configuration page for 'Log config'. At the top right, it indicates 'Admin language: Dutch' and a 'Logout' button. The navigation menu includes STATUS, BASIC, ADVANCED, PARENTAL CONTROL, WIRELESS, USB, and SYSTEM. The left sidebar lists PASSWORD, BACKUP AND RECOVERY (Backup, Restore, Factory Default), LOG (Syslog, Local Log), and a 'Save' button is visible at the bottom right of the main configuration area.

SYSTEM

Log config

This page allows to configure remote logging.

Remote logging Enabled

Level

- Critical
- Major
- Minor
- Warning
- Inform

Log Server

IP Address 0.0.0.0

Port 512

Save

Fig. 2-49 System\Log\Syslog



6. Log\Local Log

The gateway builds a log of firewall blocking actions that the firewall has taken. The log of levels selected is visible on the screen. Using the Local Log page lets you tick the levels of log and show logs in the log text frame. Tick the levels you need and click on “Save” button.

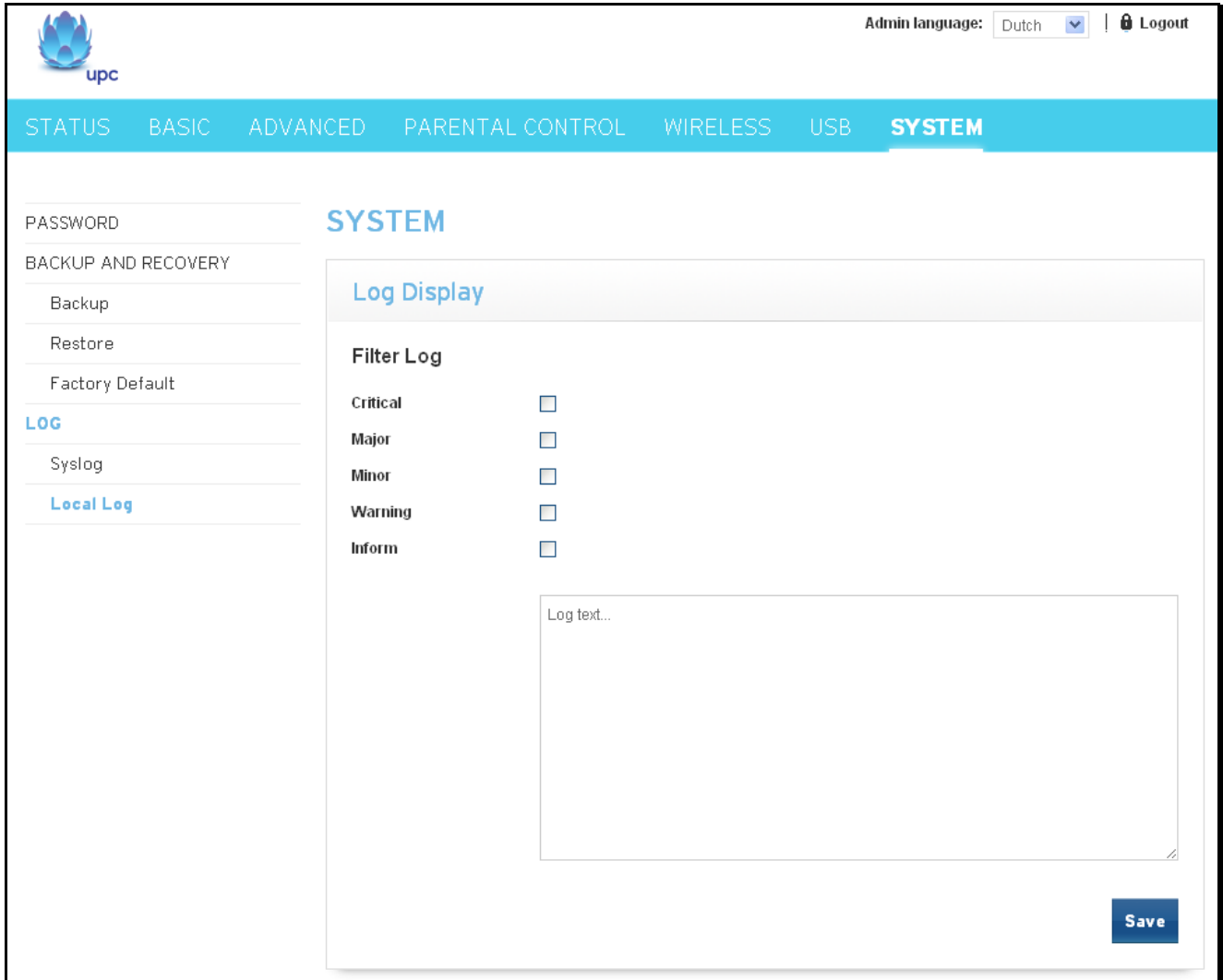


Fig. 2-50 System\Log\Local Log

CHAPTER 3: NETWORKING

Communications

Data communication involves the flow of packets of data from one device to another. These devices include personal computers, Ethernet, cable modems, digital routers and switches, and highly integrated devices that combine functions, like the Wireless Cable Gateway.

The gateway integrates the functionality often found in two separate devices into one. It's both a cable modem and an intelligent wireless voice gateway networking device that can provide a host of networking features, such as NAT and firewall. Fig.3-1 illustrates this concept, with the cable modem (CM) functionality on the left, and networking functionality on the right. In this figure, the numbered arrows represent communication based on source and destination, as follows:

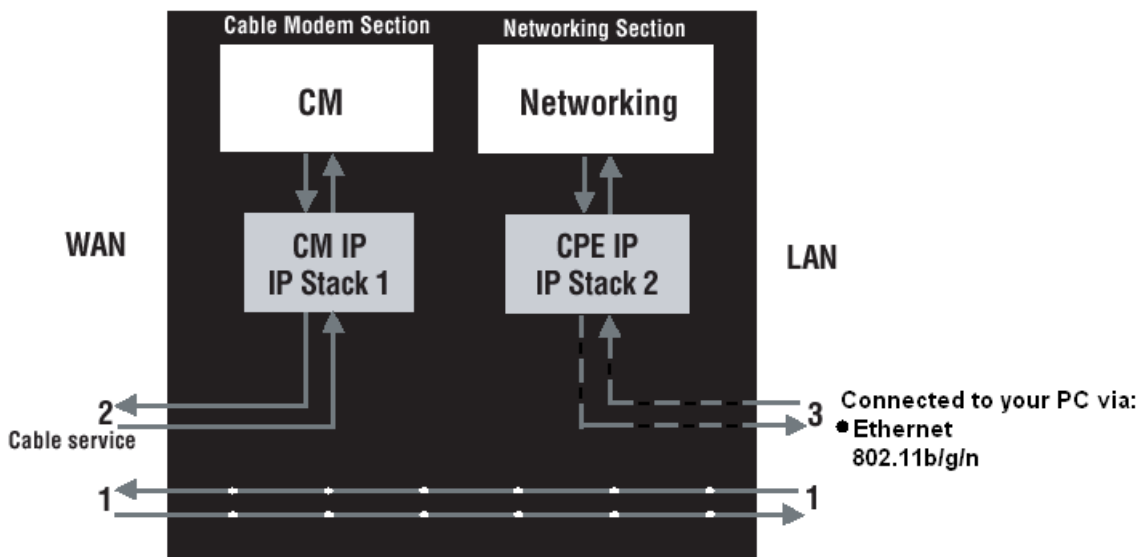


Fig.3-1 Communication between your PCs and the network side

Type of Communication

1. Communication between the Internet and your PCs
Example: The packets created by your request for a page stored at a web site, and the contents of that page sent to your PC.
2. Communication between your cable company and the cable modem side
Example: When your cable modem starts up, it must initialize with the cable company, which requires the cable company to communicate directly with the cable modem itself.
3. Communication between your PCs and the networking side

Example: The Wireless Cable Gateway offers a number of built-in web pages which you can use to configure its networking side; when you communicate with the networking side, your communication is following this path. Each packet on the Internet addressed to a PC in your home travels from the Internet downstream on the cable company's system to the WAN side of your Wireless Cable Gateway. There it enters the Cable Modem section, which inspects the packet, and based on the results, proceeds to either forward or block the packet from proceeding on to the Networking section. Similarly, the Networking section then decides whether to forward or block the packet from proceeding on to your PC.

Communication from your home device to an Internet device works similarly, but in reverse, with the packet traveling upstream on the cable system.



Cable Modem (CM) Section

The cable modem (or CM) section of your gateway uses DOCSIS or EURO-DOCSIS Standard cable modem technology. DOCSIS or EURO-DOCSIS specifies that TCP/IP over Ethernet style data communication be used between the WAN interface of your cable modem and your cable company.

A DOCSIS or EURO-DOCSIS modem, when connected to a Cable System equipped to support such modems, performs a fully automated initialization process that requires no user intervention. Part of this initialization configures the cable modem with a CM IP (Cable Modem Internet Protocol) address, as shown in Figure 3-2, so the cable company can communicate directly with the CM itself.

Networking Section

The Networking section of your gateway also uses TCP/IP (Transmission Control Protocol/ Internet Protocol) for the PCs you connected on the LAN side. TCP/IP is a networking protocol that provides communication across interconnected networks, between computers with diverse hardware architectures and various operating systems.

TCP/IP requires that each communicating device be configured with one or more TCP/IP stacks, as illustrated by Fig.3-2. On a PC, you often use software that came with the PC or its network interface (if you purchased a network interface card separately) to perform this configuration. To communicate with the Internet, the stack must also be assigned an IP (Internet Protocol) address. 192.168.100.1 is an example of an IP address. A TCP/IP stack can be configured to get this IP address by various means, including a DHCP server, by you directly entering it, or sometimes by a PC generating one of its own.

Ethernet requires that each TCP/IP stack on the Wireless Cable Gateway also have associated with it an Ethernet MAC (Media Access Control) address. MAC addresses are permanently fixed into network devices at the time of their manufacture. 00:90:64:12:B1:91 is an example of a MAC address.

Data packets enter and exit a device through one of its network interfaces. The gateway offers Ethernet and 802.11b/g/n wireless network interfaces on the LAN side and the DOCSIS network interface on the WAN side.

When a packet enters a network interface, it is offered to all the TCP/IP stacks associated with the device side from which it entered. But only one stack can accept it — a stack whose configured Ethernet address matches the Ethernet destination address inside the packet. Furthermore, at a packet's final destination, its destination IP address must also match the IP address of the stack.

Each packet that enters a device contains source MAC and IP addresses telling where it came from, and destination MAC and IP addresses telling where it is going to. In addition, the packet contains all or part of a message destined for some application that is running on the destination device. IRC used in an Internet instant messaging program, HTTP used by a web browser, and FTP used by a file transfer program are all examples of applications. Inside the packet, these applications are designated by their port number. Port 80, the standard HTTP port, is an example of a port number.

The Networking section of the router performs many elegant functions by recognizing different packet types based upon their contents, such as source and destination MAC address, IP address, and ports.

Three Networking Modes

Your gateway can be configured to provide connectivity between your cable company and your home LAN in any one of three Networking Modes: CM, RG, and CH. This mode setting is under the control of your cable company, who can select the mode to match the level of home networking support for which you have subscribed. All units ship from the factory set for the RG mode, but a configuration file which the cable company sends the cable modem section during its initialization can change it.

Cable Modem (CM) Mode

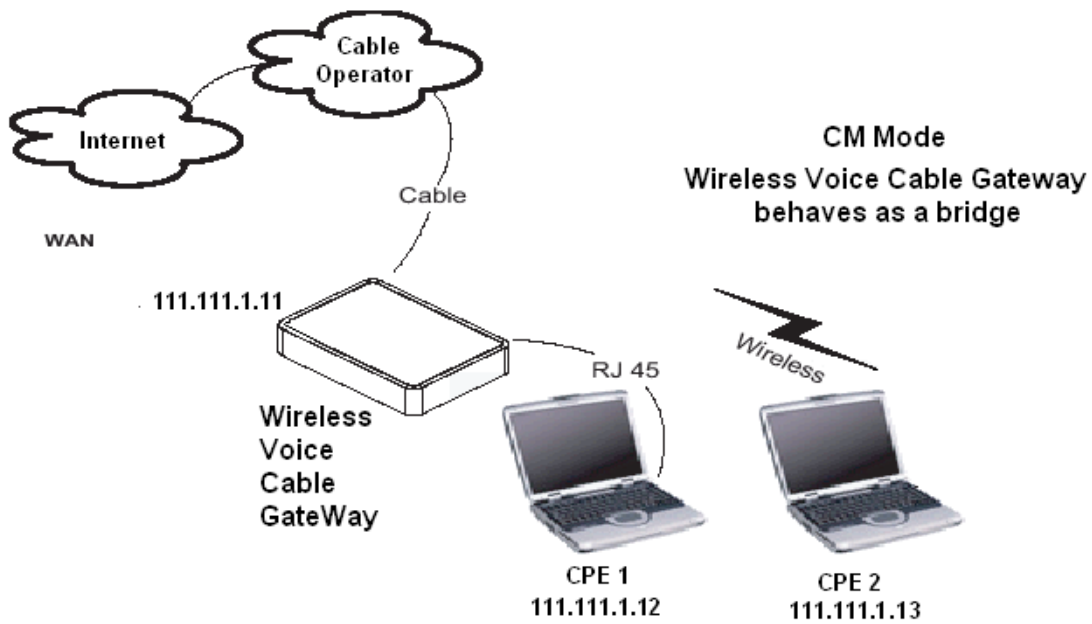


Fig. 3-2 Cable Modem Mode

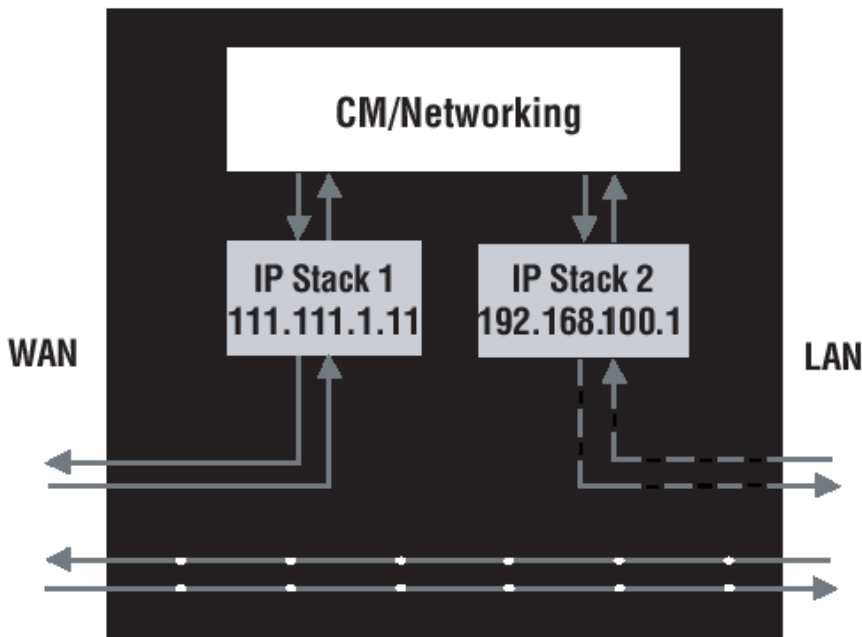


Fig. 3-3 Two IP stacks are activated in cable modem mode

CM (Cable Modem) Mode provides basic home networking. In this mode, two IP stacks are active:

- IP Stack 1 - for use by the cable company to communicate with the cable modem section only. This stack receives its IP address from the cable company during CM initialization. It uses the MAC address printed on the label attached to the Wireless Cable gateway.
- IP Stack 2 - for use by you, the end user, to communicate with the cable modem and Networking sections, to access the internal web page diagnostics and configuration. This stack uses a fixed IP address: 192.168.100.1. It uses a MAC address 00:10:95:FF:FF:FE.

With CM Mode, your cable company must provide one IP address for the CM section, plus one for each PC you connect from their pool of available addresses. Your cable company may have you or your

installer manually enter these assigned addresses into your PC, or use a DHCP Server to communicate them to your PCs, or use a method that involves you entering host names into your PCs.

Note that in CM Mode, packets passing to the Internet to/from your PCs do not travel through any of the IP stacks; instead they are directly bridged between the WAN and LAN sides.

Residential Gateway (RG) Mode

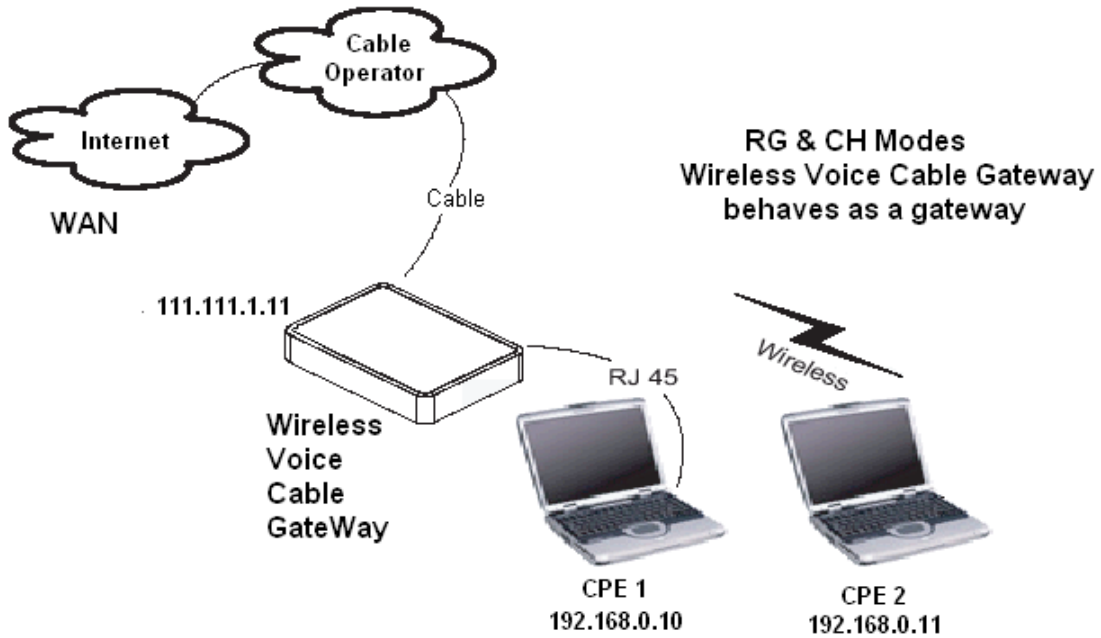


Fig. 3-4 Residential Gateway Mode

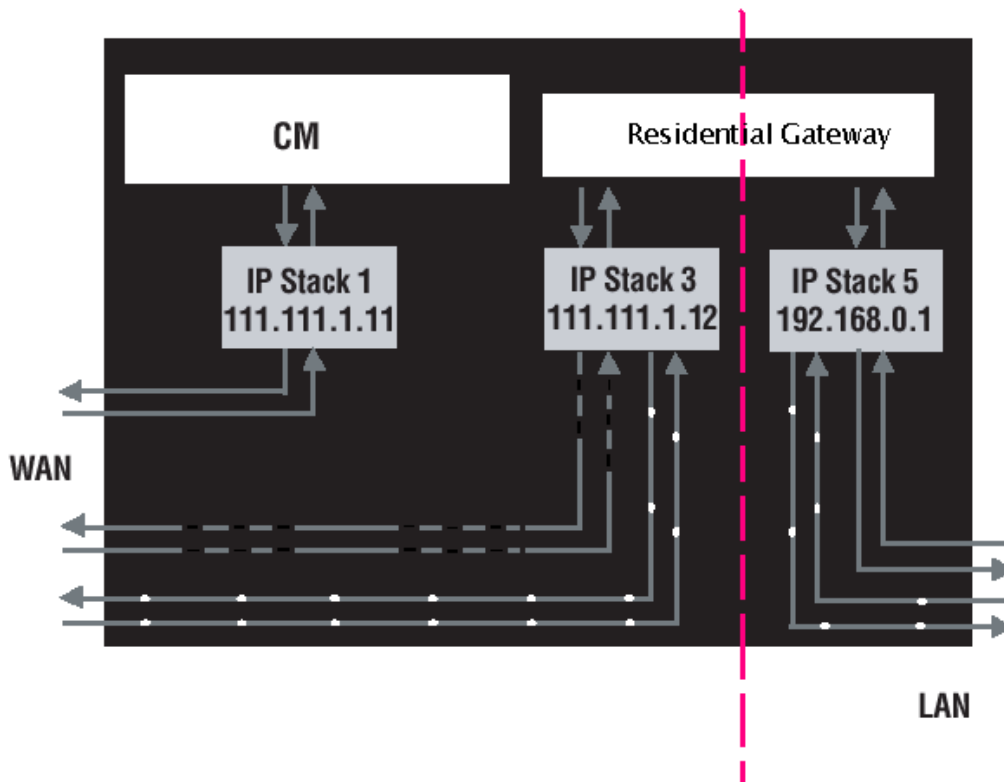


Fig. 3-5 Three IP stacks are activated in cable modem mode

RG (Residential Gateway) Mode provides basic home networking plus NAT (Network Address Translation). In this mode, three IP stacks are active:

- IP Stack 1 - for use by the cable company to communicate with the Cable Modem section only. This stack receives its IP address from the cable company during CM initialization. It uses the MAC



address printed on the label attached to the Wireless Cable Gateway.

- IP Stack 3 - for use by you to remotely (i.e. from somewhere on the WAN side, such as at your remote workplace) communicate with the Cable Modem and Networking sections, to remotely access the internal web page diagnostics and configuration. This stack is also used by your cable company to deliver packets between the Internet and the gateway's networking section so they can be routed to/from your PCs. This stack requires an IP address assigned by the cable company from their pool of available addresses. Your cable company may have you or your installer manually enter assigned addresses into your gateway, or use a DHCP Server to communicate them, or use a method that involves you entering host names. This stack uses a MAC address of MAC label + 2 (the MAC label is found on the bottom of the unit). E.g., if the MAC address is 00:90:64:12:B1:91, this MAC address would be 00:90:64:12:B1:93.
- IP Stack 5 - for use by you to locally (i.e. from somewhere on the LAN side in your home) communicate with the Cable Modem and Networking sections, to access the internal web page diagnostics and configuration. This stack is also used by the gateway's networking section to route packets between the gateway's Networking section and your PCs. This stack uses a fixed IP address: 192.168.0.1. It uses a MAC address of MAC label + 4 (the MAC label is found on the bottom of the unit). E.g., if the MAC address is 00:90:64:12:B1:91, this MAC address would be 00:90:64:12:B1:95.

With RG Mode, your cable company must provide one IP address for the CM section, plus one for the Networking section, from their pool of available addresses. With RG Mode, each PC you connect gets an IP address from a DHCP Server that is part of the Networking section of the gateway.

CHAPTER 4: ADDITIONAL INFORMATION

Frequently Asked Questions

Q. What if I don't subscribe to cable TV?

A. If cable TV is available in your area, data and voice service may be made available with or without cable TV service. Contact your local cable company for complete information on cable services, including high-speed internet access.

Q. How do I get the system installed?

A. Professional installation from your cable provider is strongly recommended. They will ensure proper cable connection to the modem and your computer. However, your retailer may have offered a self installation kit, including the necessary software to communicate with your cable ISP.

Q. Once my Wireless Voice Gateway is connected, how do I get access to the Internet?

A. Your local cable company provides your internet service*, offering a wide range of services including email, chat, and news and information services, and a connection to the World Wide Web.

Q. It seems that the wireless network is not working

A. Check the Wireless LED on the front panel. If it is no lighted, press on the WPS button shortly, less than 1 second, on the side of the modem, and then check again the Wireless LED. If it is lighted, then the Wireless transmission is enabled.

Q. Can I watch TV, surf the Internet, and talk to my friends through the Wireless Voice Gateway at the same time?

A. Absolutely!

Q. What do you mean by "Broadband?"

A. Simply put, it means you'll be getting information through a "bigger pipe," with more bandwidth, than a standard phone line can offer. A wider, "broader" band means more information, more quickly.

Q. What is Euro-DOCSIS and what does it mean?

A. "Data over Cable Service Interface Specifications" is the industry standard that most cable companies are adopting as they upgrade their systems. Should you ever decide to move, the Wireless Voice Gateway will work with all upgraded cable systems that are Euro-DOCSIS-compliant.

Q. What is Euro-PacketCable and what does it mean?

A. Euro-PacketCable is the industry standard for telephony services that most cable companies are adopting as they upgrade their systems. Should you ever decide to move, the Wireless Voice Gateway will work with all upgraded cable systems that are Euro-PacketCable compliant.

Q. What is Xpress Technology and what does it mean?

A. It is one of the popular performance-enhancing Wi-Fi technologies, designed to improve wireless network efficiency and boost throughput. It is more efficient in mixed environments, and it can work with 802.11a/b/g networks. When Xpress is turned on, aggregate throughput (the sum of the individual throughput speeds of each client on the network) can improve by **up to 27%** in 802.11g-only networks, and **up to 75%** in mixed networks comprised of 802.11g and 802.11b standard equipment. The



technology achieves higher throughput by re-packaging data, reducing the number of overhead control packets, so that more useful data can be sent during a given amount of time.

* Monthly subscription fee applies.

** Additional equipment required. Contact your Cable Company and ISP for any restrictions or additional fees.



General Troubleshooting

You can correct most problems you have with your product by consulting the troubleshooting list that follows.

I can't access the internet.

- Check all of the connections to your Wireless Voice Gateway.
- Your Ethernet card may not be working. Check each product's documentation for more information.
- The Network Properties of your operating system may not be installed correctly or the settings may be incorrect. Check with your ISP or cable company.

I can't get the modem to establish an Ethernet connection.

- Even new computers don't always have Ethernet capabilities – be sure to verify that your computer has a properly installed Ethernet card and the driver software to support it.
- Check to see that you are using the right type of Ethernet cable.

The modem won't register a cable connection.

- If the modem is in Initialization Mode, the INTERNET light will be flashing. Call your Cable Company if it has not completed this 5-step process within 30 minutes, and note which step it is getting stuck on.
- The modem should work with a standard RG-6 coaxial cable, but if you're using a cable other than the one your Cable Company recommends, or if the terminal connections are loose, it may not work. Check with your Cable Company to determine whether you're using the correct cable.
- If you subscribe to video service over cable, the cable signal may not be reaching the modem. Confirm that good quality cable television pictures are available to the coaxial connector you are using by connecting a television to it. If your cable outlet is "dead", call your Cable Company.
- Verify that the Cable Modem service is Euro-DOCSIS compliant and PacketCable compliant by calling your cable provider.

I don't hear a dial tone when I use a telephone.

- Telephone service is not activated. If the rightmost light on the Wireless Voice Gateway stays on while others flash, check with your TSP or cable company. If the Wireless Voice Gateway is connected to existing house telephone wiring, make sure that another telephone service is not connected. The other service can normally be disconnected at the Network Interface Device located on the outside of the house.
- If using the second line on a two-line telephone, use a 2-line to 1-line adapter cable.

For more Usage and Troubleshooting Tips use the web site links provided on the CD-ROM:

www.technicolor.com



Service Information

If you purchased or leased your Wireless Voice Gateway directly from your cable company, then warranty service for the Digital Cable Modem may be provided through your cable provider or its authorized representative. For information on 1) Ordering Service, 2) Obtaining Customer Support, or 3) Additional Service Information, please contact your cable company. If you purchased your Wireless Voice Gateway from a retailer, see the enclosed warranty card.



Glossary

10/100/1000 BaseT – Unshielded, twisted pair cable with an RJ-45 connector, used with Ethernet LAN (Local Area Network). “10/100/1000” indicates speed (10/100/1000 BaseT), “Base” refers to baseband technology, and “T” means twisted pair cable.

Authentication - The process of verifying the identity of an entity on a network.

DHCP (Dynamic Host Control Protocol) – A protocol which allows a server to dynamically assign IP addresses to workstations on the fly.

Ethernet adapters – A plug-in circuit board installed in an expansion slot of a personal computer. The Ethernet card (sometimes called a Network Interface Card, network adapter or NIC) takes parallel data from the computer, converts it to serial data, puts it into a packet format, and sends it over the 10/100/1000 BaseT LAN cable.

DOCSIS (Data Over Cable Service Interface Specifications) – A project with the objective of developing a set of necessary specifications and operations support interface specifications for Cable Modems and associated equipment.

F Connector – A type of coaxial connector, labeled CABLE IN on the rear of the Wireless Voice Gateway that connects the modem to the cable system.

HTTP (HyperText Transfer Protocol) – Invisible to the user, HTTP is used by servers and clients to communicate and display information on a client browser.

Hub – A device used to connect multiple computers to the Wireless Voice Gateway.

IP Address – A unique, 32-bit address assigned to every device in a network. An IP (Internet Protocol) address has two parts: a network address and a host address. This modem receives a new IP address from your cable operator via DHCP each time it goes through Initialization Mode.

Key exchange - The swapping of mathematical values between entities on a network in order to allow encrypted communication between them.

MAC Address – The permanent “identity” for a device programmed into the Media Access Control layer in the network architecture during the modem’s manufacture.

NID - Network Interface Device, the interconnection between the internal house telephone wiring and a conventional telephone service provider’s equipment. These wiring connections are normally housed in a small plastic box located on an outer wall of the house. It is the legal demarcation between the subscriber’s property and the service provider’s property.

PacketCable – A project with the objective of developing a set of necessary telephony specifications and operations support interface specifications for Wireless Voice Gateways and associated equipment used over the DOCSIS based cable network.

PSTN (Public Switched Telephone Network) – The worldwide voice telephone network which provides dial tone, ringing, full-duplex voice band audio and optional services using standard telephones.

Provisioning - The process of enabling the Media Terminal Adapter (MTA) to register and provide services over the network.



TCP/IP (Transmission Control Protocol/Internet Protocol) – A networking protocol that provides communication across interconnected networks, between computers with diverse hardware architectures and various operating systems.

TFTP - Trivial File Transfer Protocol, the system by which the Media Terminal Adapter's configuration data file is downloaded.

TSP - Telephony Service Provider, an organization that provides telephone services such as dial tone, local service, long distance, billing and records, and maintenance.

Universal Serial Bus (USB) – USB is a “plug-and-play” interface between a computer and add-on devices, such as a Wireless Voice Gateway.

Xpress Technology - One of the popular performance-enhancing WiFi technologies, designed to improve wireless network efficiency and boost throughput. It is more efficient in mixed environments, and it can work with 802.11a/b/g networks.